

Configuring door alarms

There are 4 types of alarm that can be configured for each ACU.

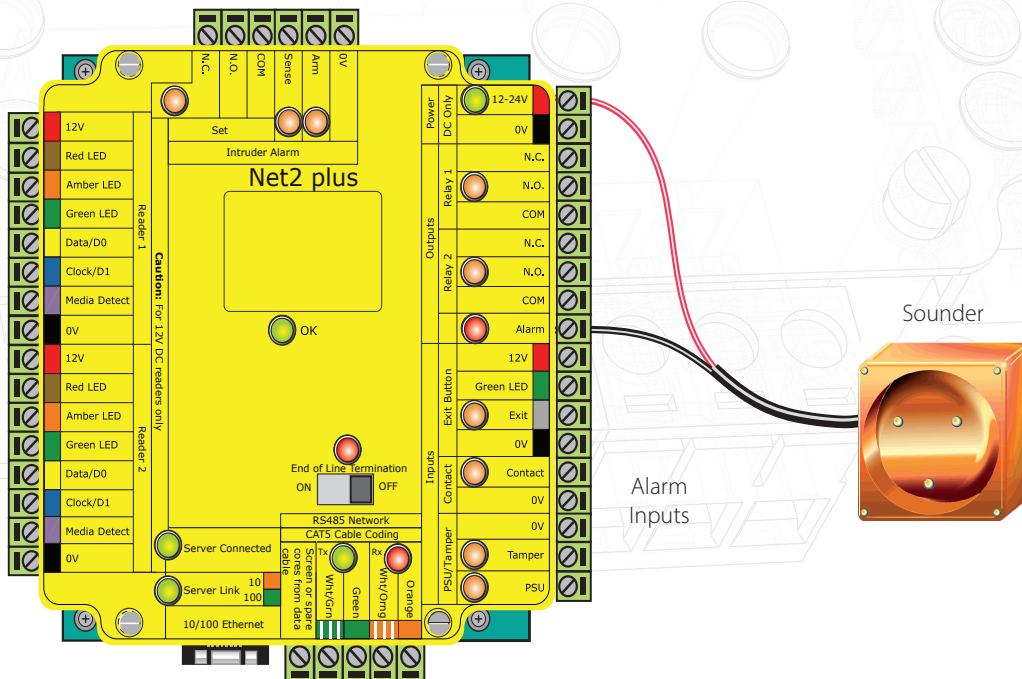


Type of alarm	Description	Requires
Door forced open	The door is opened without the permission of the access control system.	Door contact.
Door left open	The door is opened with the permission of the access control system but is not closed within the specified time.	Door contact.
PSU failure	The mains supply to the control unit PSU fails. If battery backup is fitted then the system will continue to operate.	Mains fail monitoring by the power supply. Battery backup to maintain ACU power.
Tamper	The control unit enclosure has been opened.	Tamper switch on control unit enclosure.

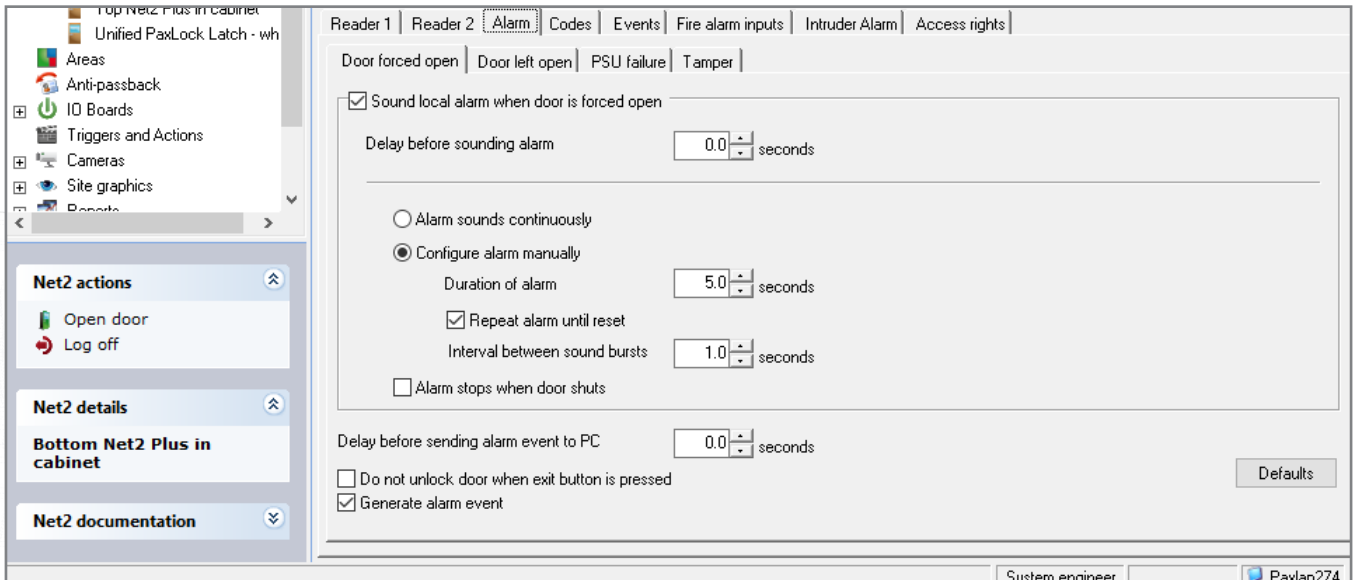
Local alarm

The Net2 ACU has a local alarm output. This is a transistor 'open drain' output providing a switched 0V. (not a voltage free contact) It can draw up to 1A at 12V DC to drive a bell, sounder, light etc.

This local output can be turned on or off for each type of alarm and can be configured to sound continuously or intermittently to distinguish between different alarm types.



Alarm types

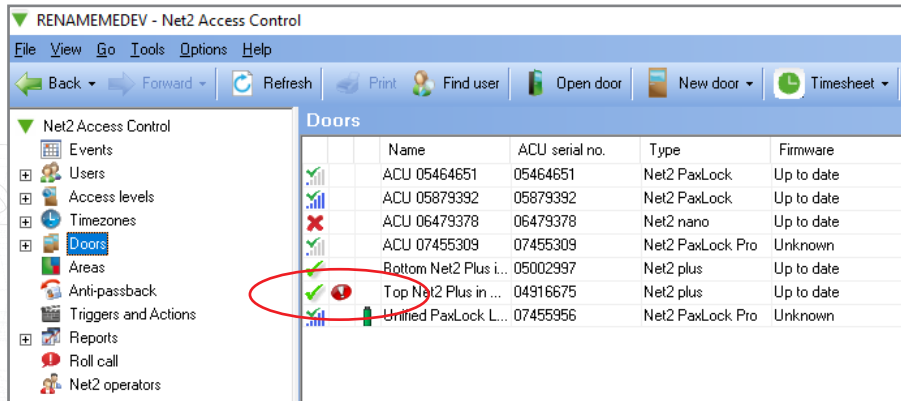


Each type of alarm has its own tab. The settings for each type can be different. (Net2 nano has fixed values)

Configuration

- Sound Local Alarm
This enables the alarm output for this type of Alarm.
- Delay before sounding Alarm
This configures the amount of time the <condition> must be active for before the alarm will sound.
- Alarm sounds continuously / Configure Alarm manually
Produces a continuous alarm or one that can be intermittent to differentiate between alarm types or urgency.
- Repeat Alarm until reset
Tick this box to make the alarm pause between repeated outputs.
- Interval between sound bursts
When repeat is enabled, enter the delay period required between outputs.
- Alarm sounds when <condition> stops
Tick this to allow local reset without requiring PC operator action. (e.g. door left open)
- Delay before sending alarm event to PC.
The ACU will check that the condition still exists after the activation before sending an Alarm event to the PC. This will filter out alarms that are dealt with immediately and do not require operator action. For example the Door left Open alarm allows an additional 5 seconds after the initial alarm for the door to be relocked before logging the event at the PC.

Alarm reporting at the PC



While the alarm output terminal on the ACU is active (held at 0V), an alarm icon is displayed against that ACU in the door display.

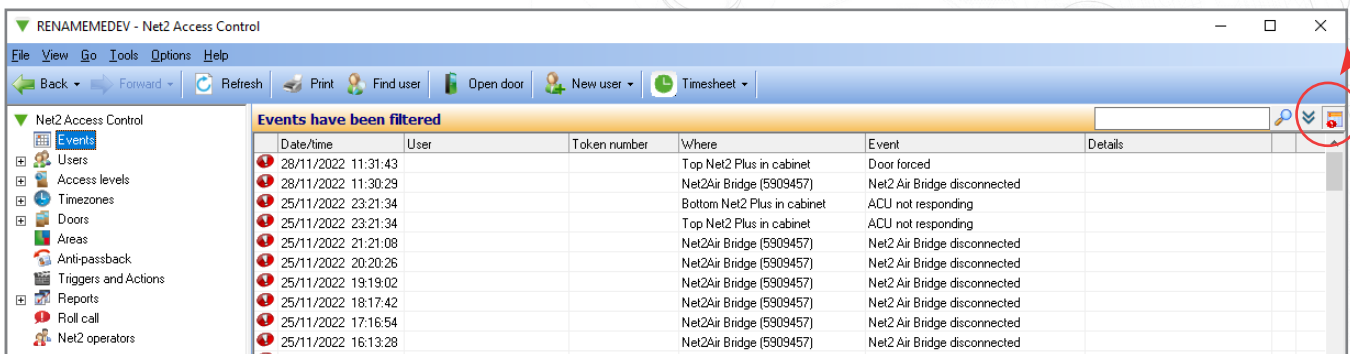
Alarm Event Filter

Active Alarm Events (red icon) can be given display priority by clicking on the Alarm Filter icon. This will keep un-acknowledged alarms at the top of the events screen.

Double clicking an active alarm event will give the option to acknowledge the alarm, changing its icon colour to green and removing it from the priority list. Multiple alarms can be acknowledged at the same time.

Click on the filter icon again to return to the default display.

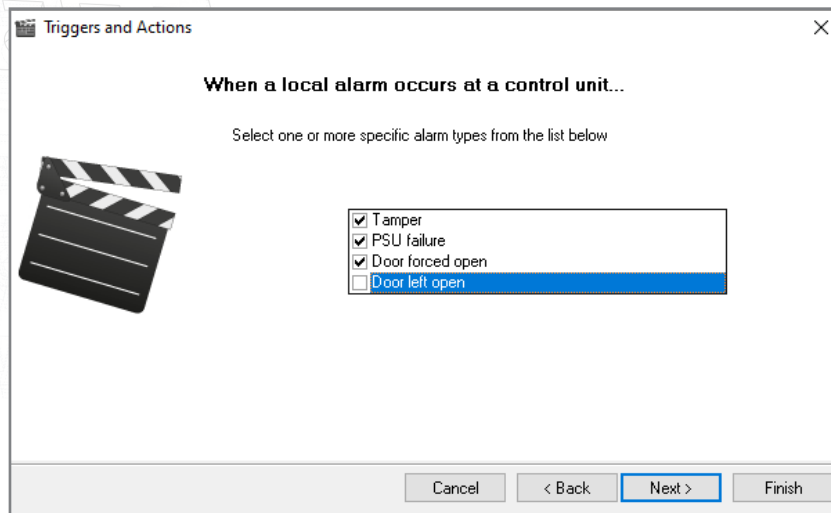
If you scroll down the screen, the event update will PAUSE and new alarms will not be displayed until the scroll bar has been returned to the top of the screen.



Sound an alarm at the PC - Triggers and Actions

You can use the Triggers and Actions function to play a sound file at the PC, as below. You can set up multiple rules that can play specific warning sounds or messages depending on the alarm type or ACU involved.

See also: AN1067 - Using Triggers and Actions. < <http://paxton.info/507> >



Examples include:

1. SMS sent to guards mobile when a door is forced.
2. WAV file played on reception PC when a door is held open.
3. email the installer if there is a PSU failure.

Do not unlock door when exit button is pressed

This feature has been included to allow a manual door handle to be used in conjunction with door monitoring contacts.

Where door contacts are fitted, a door forced alarm would result from the door handle alone being used when exiting the room, as no matching valid access event would be recorded.

By installing a PIR or pressure sensor in the 'out' direction across the Exit / OV connection, an access event can be recorded and the alarm condition satisfied. We do not want this action to release the lock as they may just be passing the sensor inside the room and will use the handle to exit if required and so this feature has been added just to create a valid 'exit button' event. Simply place a check in the tick box of this field.

See also: AN1048 - Exit function integrated with a manual door handle. < <http://paxton.info/1582> >