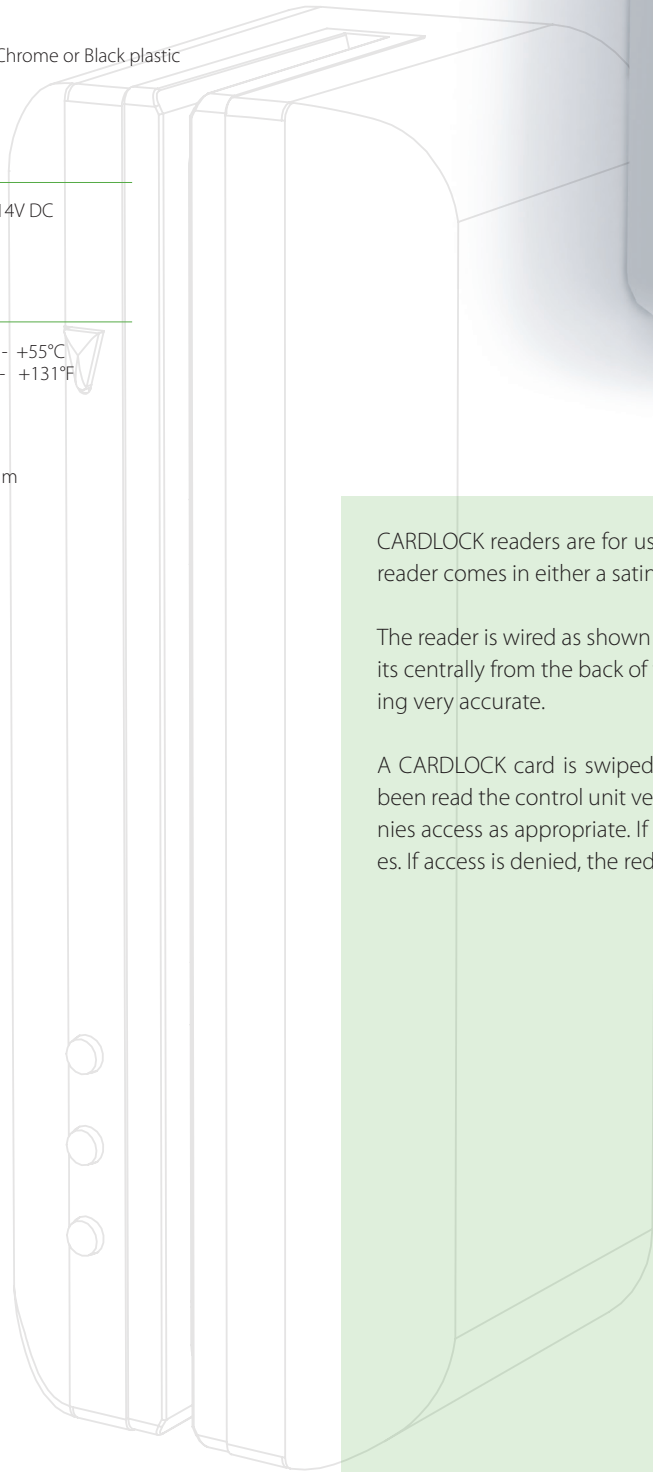


CARDLOCK reader

System specifications

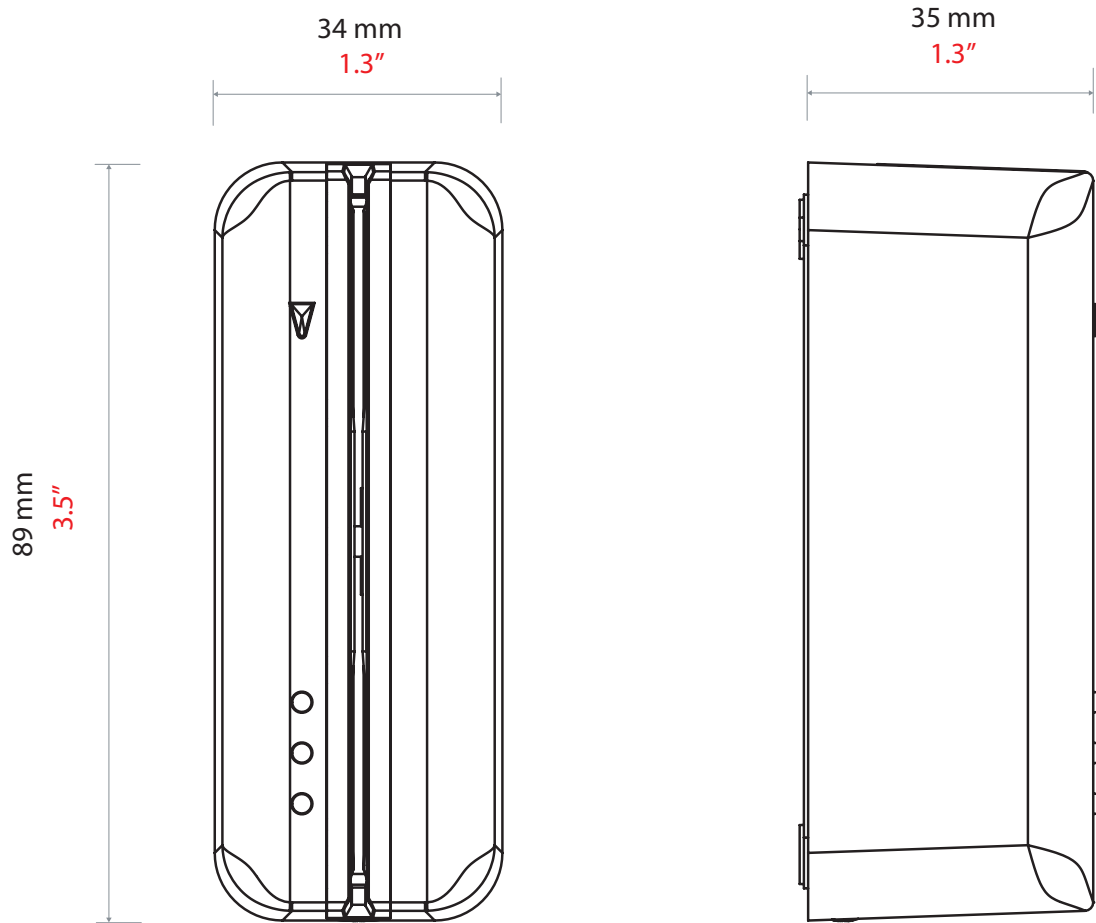
Cable Length	5m/16ft	
Cable extension length and type	≤ 25m/82ft	Belden 9538/ Belden 5506FE (USA) General Cable equivalent C0744A/ General Cable equivalent E2008S
	≤ 100m/328ft	Belden 9540/ Belden 5306FE (USA) General Cable equivalent C0745A/ General Cable equivalent E2038S
Token compatibility	Paxton EM	
Versions	Satin Chrome or Black plastic	
Handsfree compatible	No	
Electrical		
Operating Voltage	10V - 14V DC	
Current consumption	90mA	
Environment		
Operating temperature	-35°C - +55°C -31°F - +131°F	
Moisture resistance	IPX7	
Vandal Resistance	Medium	



CARDLOCK readers are for use with Switch2 and Net2 systems. The reader comes in either a satin chrome metal, or black plastic option.

The reader is wired as shown on the control unit label. The cable exits centrally from the back of the reader making drilling and mounting very accurate.

A CARDLOCK card is swiped through the reader. Once a card has been read the control unit verifies the information and grants or denies access as appropriate. If access is granted, the green LED flashes. If access is denied, the red LED flashes.



Accessories and sales codes

CARDLOCK reader - Satin chrome

409-711SC

CARDLOCK reader - Black Plastic

266-898