

# TOUCHLOCK stainless steel keypad - K38/K50/K75/K75 screw connector

## System specifications

Cable Length	5m/16ft (Screw connector - None)	
Cable extension length and type	≤ 25m/82ft	Belden 9538/ Belden 5506FE (USA) General Cable equivalent C0744A/ General Cable equivalent E2008S
	≤ 100m/328ft	Belden 9540/ Belden 5306FE (USA) General Cable equivalent C0745A/ General Cable equivalent E2038S

Token compatibility      HID® Prox (activation required)

## Electrical

Operating Voltage	10V - 14V DC
Current consumption	180mA

## Environment

Operating temperature	-35°C - +66°C -31°F - +151°F
Moisture resistance	IPX7 (Screw connector- No)
Vandal Resistance	Medium



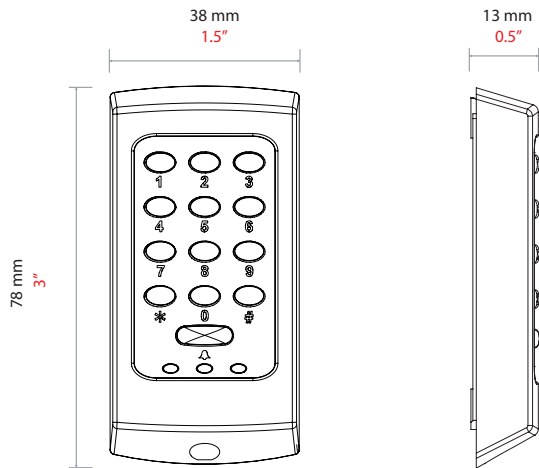
The stainless steel K38/K50/K75/K75 screw connector Keypads are devices that offer the simplicity of PIN or Code authentication for system users.

They are available for use with both Switch2 and Net2 systems. The reader is wired as shown on the control unit label.

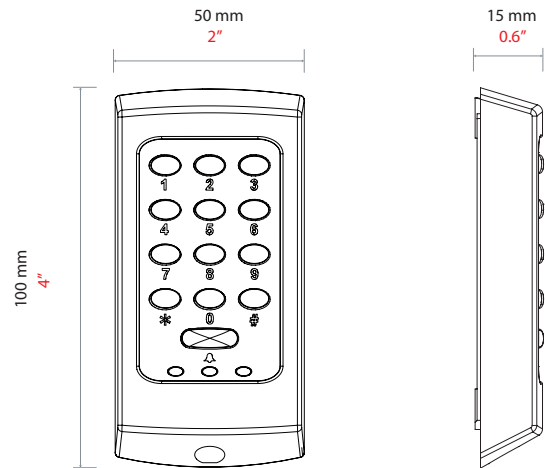
The 75 Series variant is also optionally available with a screw connector version making cabling even simpler.

By default, all 3 LEDs are lit. If access is granted, the green LED flashes and an audible tone is emitted. Incorrect PIN's will not return an access denied response.

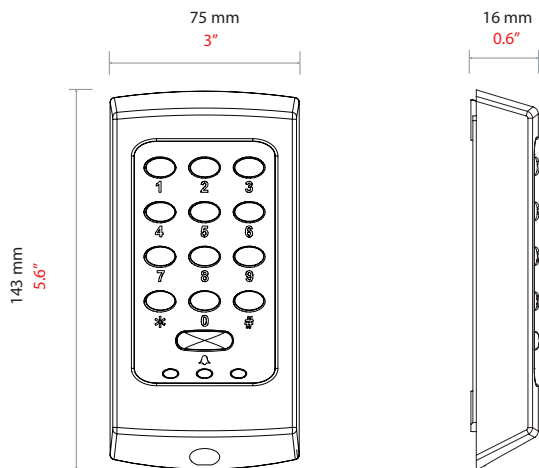
K38ss



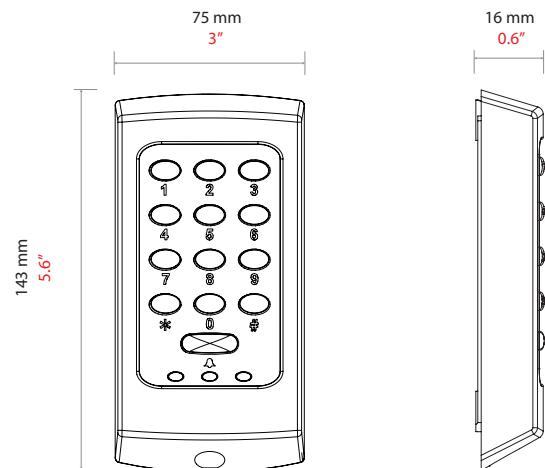
K50ss



K75ss



K75ss,sc



Accessories and sales codes

TOUCHLOCK stainless steel keypad - K38 332-110-US

TOUCHLOCK stainless steel keypad - K75 372-110-US

TOUCHLOCK stainless steel keypad - K50 352-110-US

TOUCHLOCK stainless steel keypad - K75, Screw connector 372-120-US