

## Marine exit button

### System specifications

Cable Length	5m/16ft	
Cable extension length and type	≤ 25m/82ft	Belden 9538/ Belden 5506FE (USA) General Cable equivalent C0744A/ General Cable equivalent E2008S
	≤ 100m/328ft	Belden 9540/ Belden 5306FE (USA) General Cable equivalent C0745A/ General Cable equivalent E2038S
Versions	Satin or bright chrome	

### Electrical

Operating Voltage	10V - 14V DC
Current consumption	220mA

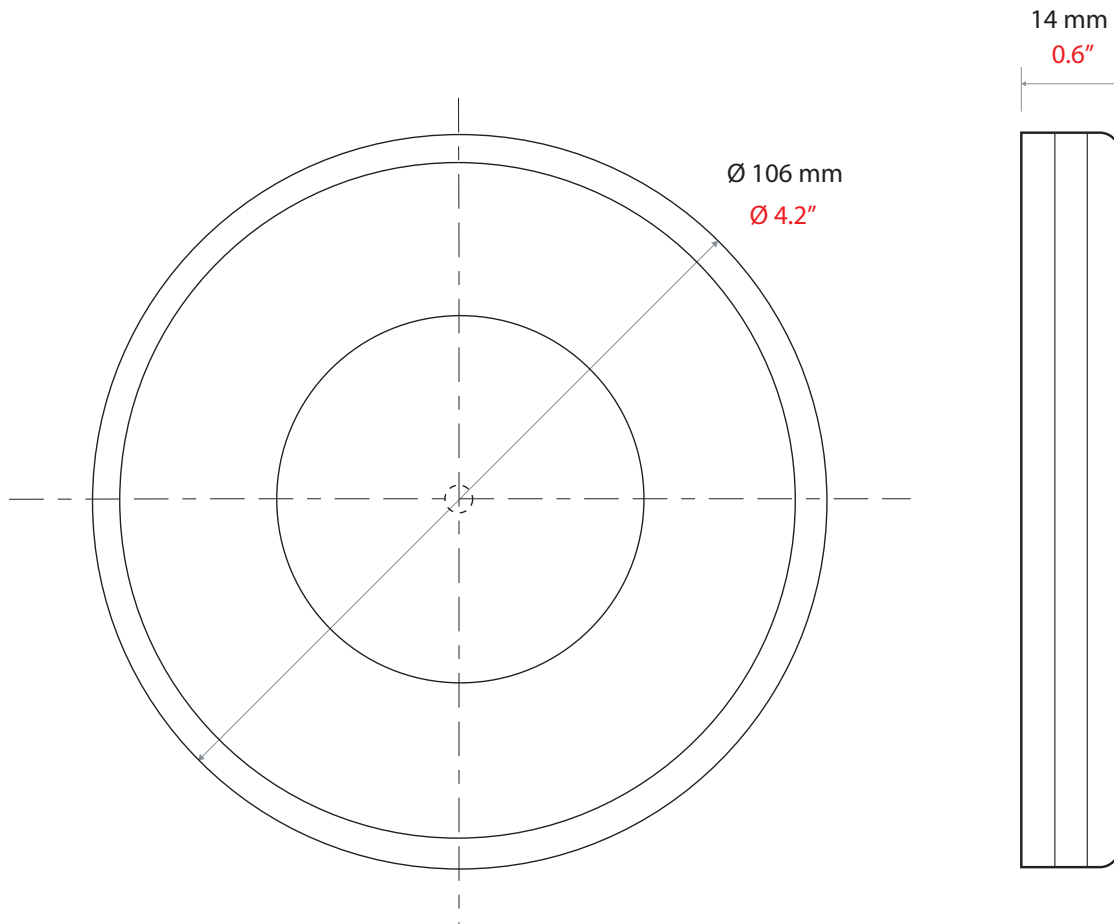
### Environment

Operating temperature	-25°C - +55°C -4°F - +131°F
Moisture resistance	No
Vandal Resistance	Medium



Exit buttons may be used with Compact, Switch2 or Net2 systems. The Marine exit button is designed for looks as well as function. It uses a touch sensitive lens. The Marine exit button is suitable for interior use.

To operate, just touch the lens, the door opens and the exit button which is normally backlit green, flashes (only when used with Switch2 and Net2).



Accessories and sales codes

Marine exit button 593-721-US