

Power over Ethernet (PoE) in cabinet

System specifications

Cabinet construction	ABS plastic/ Powder coated metal
12V DC outputs	2
Cable type	CAT5
UL 294 Rated	Yes
ACU integration	Net2 Plus

Electrical

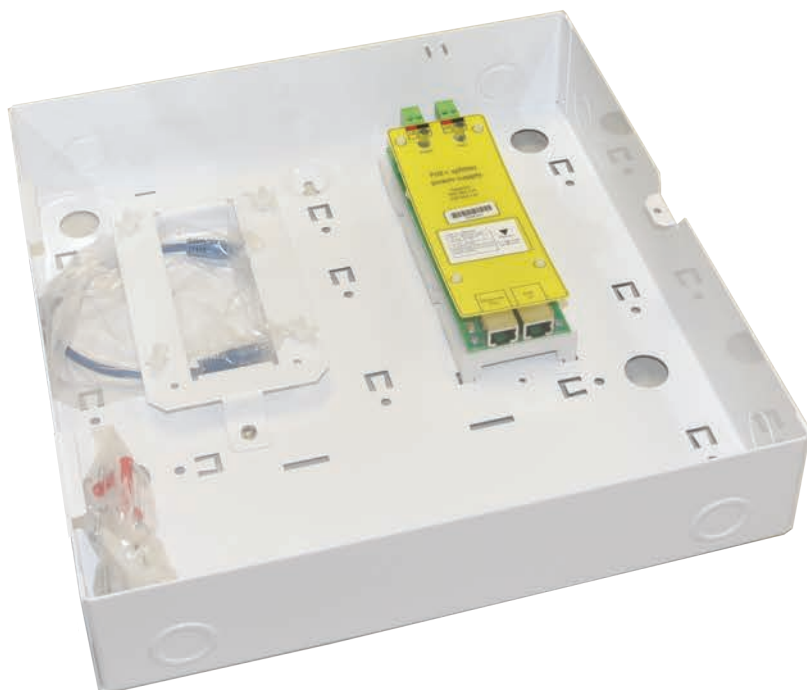
Supply voltage input	36V - 57V DC (0.83A)
Output current	12V DC (2A)
Output current (PoE+ AT type 2)	1.5A
Output power (PoE+ AT type 2)	20.4W
Output current (AF - AT type 1)	0.8A
Output power (AF - AT type 1)	10.36W

Other hardware features

Mains failure warning	No
Removable rising clamp terminal blocks	Yes
Tamper switch	Yes
Fitting kit	Yes

Environment

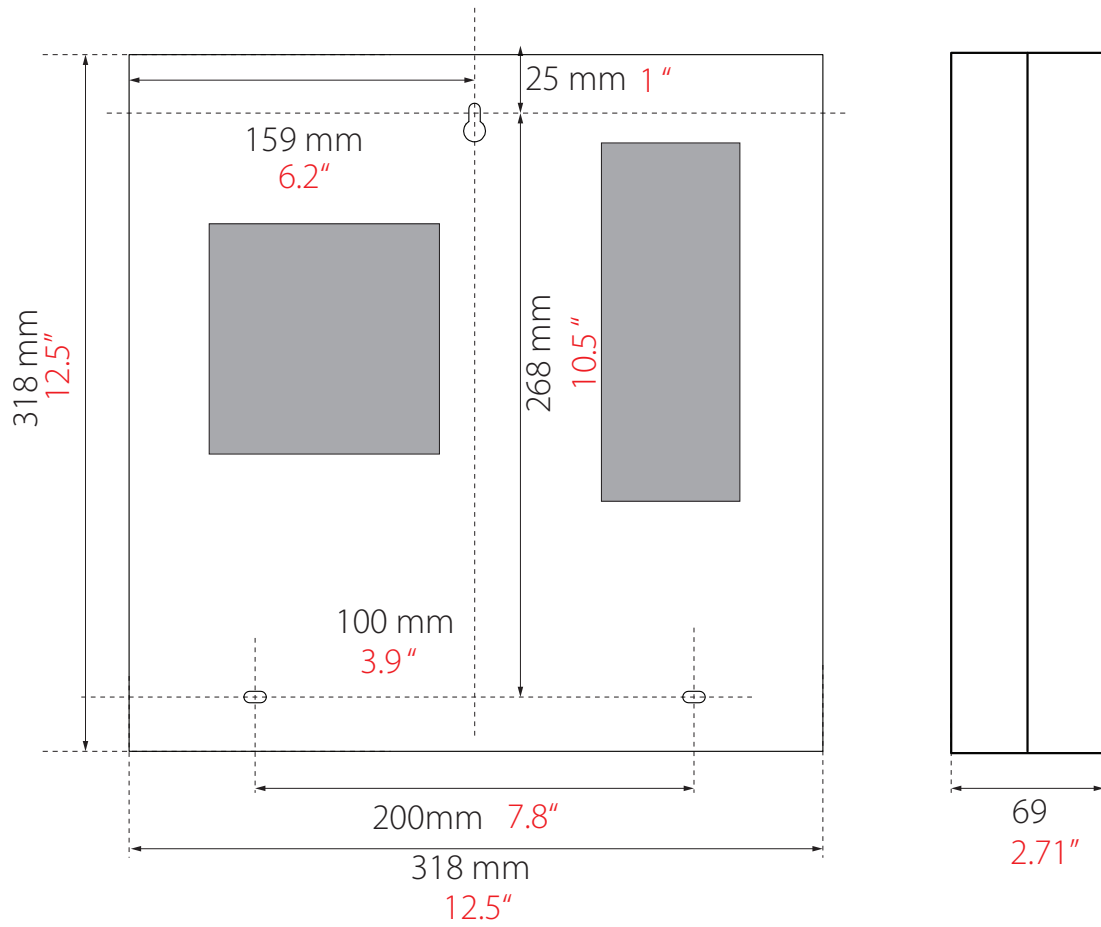
Operating Temperature	0°C - +45°C +32°F - +113°F
Moisture resistance	No - if used externally, it must be protected in a weatherproof housing
Vandal Resistance	Low



Power over Ethernet (PoE) is a technology that allows both power and data to be passed along Ethernet cabling, the most common type of cable being Cat5. Ethernet is the collection of structured data cabling that already exists to connect all local area network (LAN) based equipment, for example PCs.

By combining Net2 plus ACU's with PoE, Paxton access control systems become even faster, easier and cheaper to install. You no longer need to include a separate mains power supply, saving on extra cabling and installation time. PoE simply plugs straight into the existing LAN using a standard RJ45 plug (providing it is powered by either a PoE switch or a PoE injector). It can then be detected and configured from the Net2 software in exactly the same way as any other Net2 access control unit.

Net2 plus control units with PoE are designed to work seamlessly in the event of a communications failure, meaning the control unit will continue to permit or deny access to users as appropriate. Once communications are re-established the activity is reported back to the PC.



Accessories and sales codes

PoE+ power supply in metal cabinet 857-630-US

Metal Enclosure Only 857-600-US

