


**Technical Support**

 1.800.672.7298

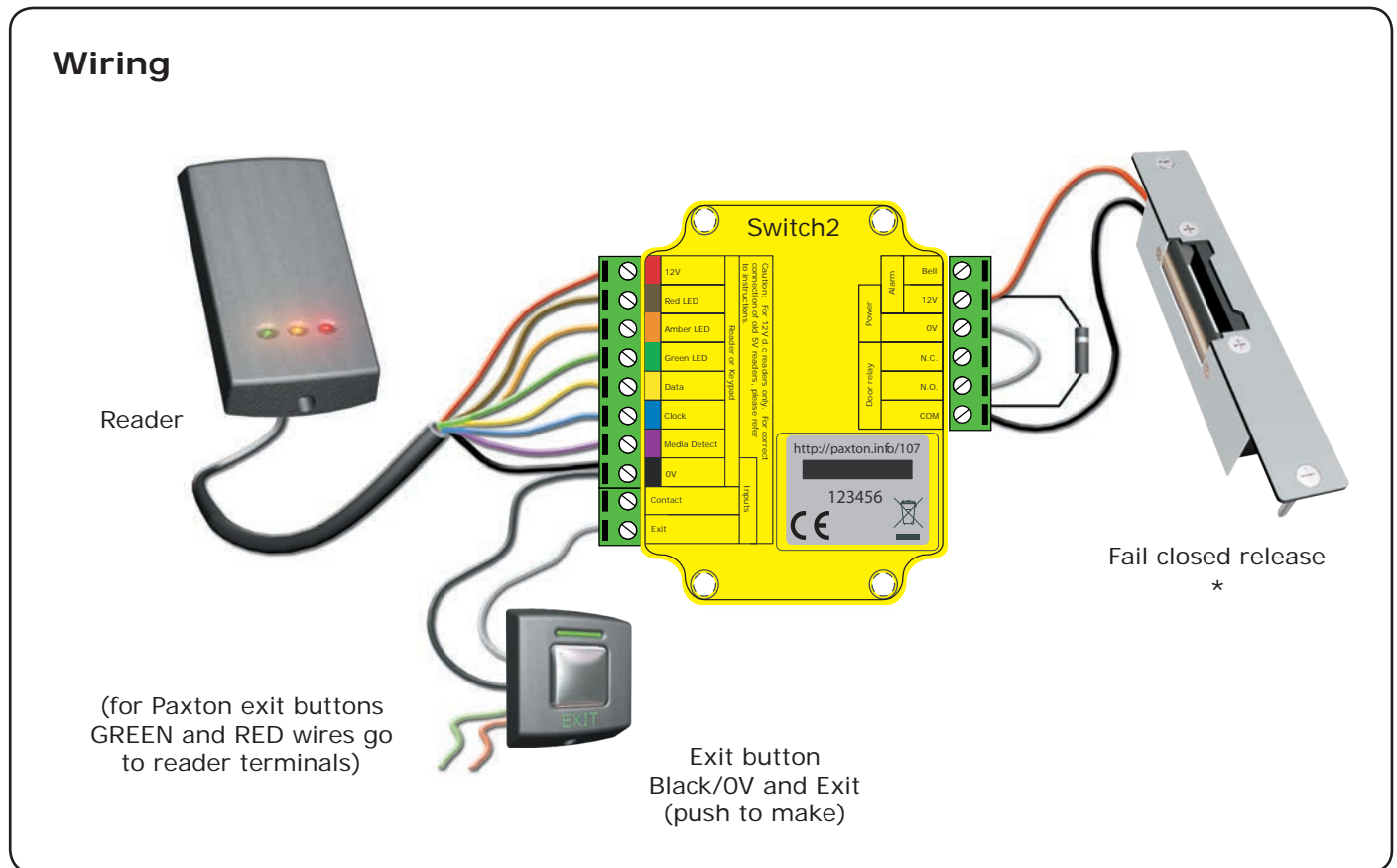
 [supportUS@paxton-access.com](mailto:supportUS@paxton-access.com)

Technical help is available: Monday - Friday from 02:00 AM - 8:00 PM (EST)

Documentation on all Paxton products can be found on our web site - <http://www.paxton-access.com/>

**Quickstart guide**

This supplement is a brief guide to installing a Switch2 system. Further information is available for download at: <http://paxton.info/45> or call technical support on: **800.672.7298**



To change a reader port voltage to 5V, move the red jumper(s) located beneath the wiring label to the 5V setting.

**Fail open locks**

For a fail open lock (Maglock), wire 0V to the "N.C." terminal instead of "N.O."

This product is not suitable for retail sale. All warranties are invalid if this product is not installed by a trained technician.

## INITIALISING A NEW SYSTEM

The first time the system is powered up the control unit will beep 3 times a second. This indicates the unit needs programming. There are 3 programming options:

Using tokens only (CARDLOCK or PROXIMITY) see Section 1

Using codes only (TOUCHLOCK) see Section 2

Using tokens and PIN/codes (CARDLOCK/PROXIMITY with TOUCHLOCK) see Section 3

The reader's default indication has all the LED's on. Access granted is denoted with a single flashing Green LED. Access Denied is a single flashing Red LED.

## Section 1 - CARDLOCK or PROXIMITY mode

### Enrolling a card pack.

Present/swipe enrolment card



All tokens will now be validated.  
Tokens can now be issued to users

**Adding an additional Proximity card pack.** You need to be in possession of a valid enrolment card for this system. Present this enrolment card to the reader and the Amber LED will flash with the Green & Red LEDs off. Present the Enrolment card from the new card pack. The reader will beep and all LEDs will be lit. The additional cards will now be valid. Repeat this with each reader and with any additional card packs. Any valid enrolment card can be used to add further packs. If an incorrect enrolment card is used to start the process, the Red LED will be lit and the reader will produce a squeak sound as it rejects the card.

**To bar a user:** Present/swipe user's shadow card  
The user card is now barred



A user can be re-validated by showing the enrolment card followed by the user card or re-entered if used in Card+PIN mode.

## Section 2 - TOUCHLOCK mode

Choose a 6 digit Programming Code and load this into the unit as follows:

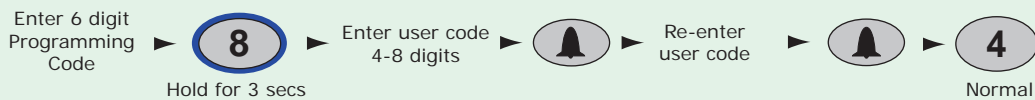
DO NOT USE 123456 - The default User Code will open the door before the Programming Code had been fully entered.



The factory User Code is now set to 1234

You can now set up the user codes and features using the programming chart.

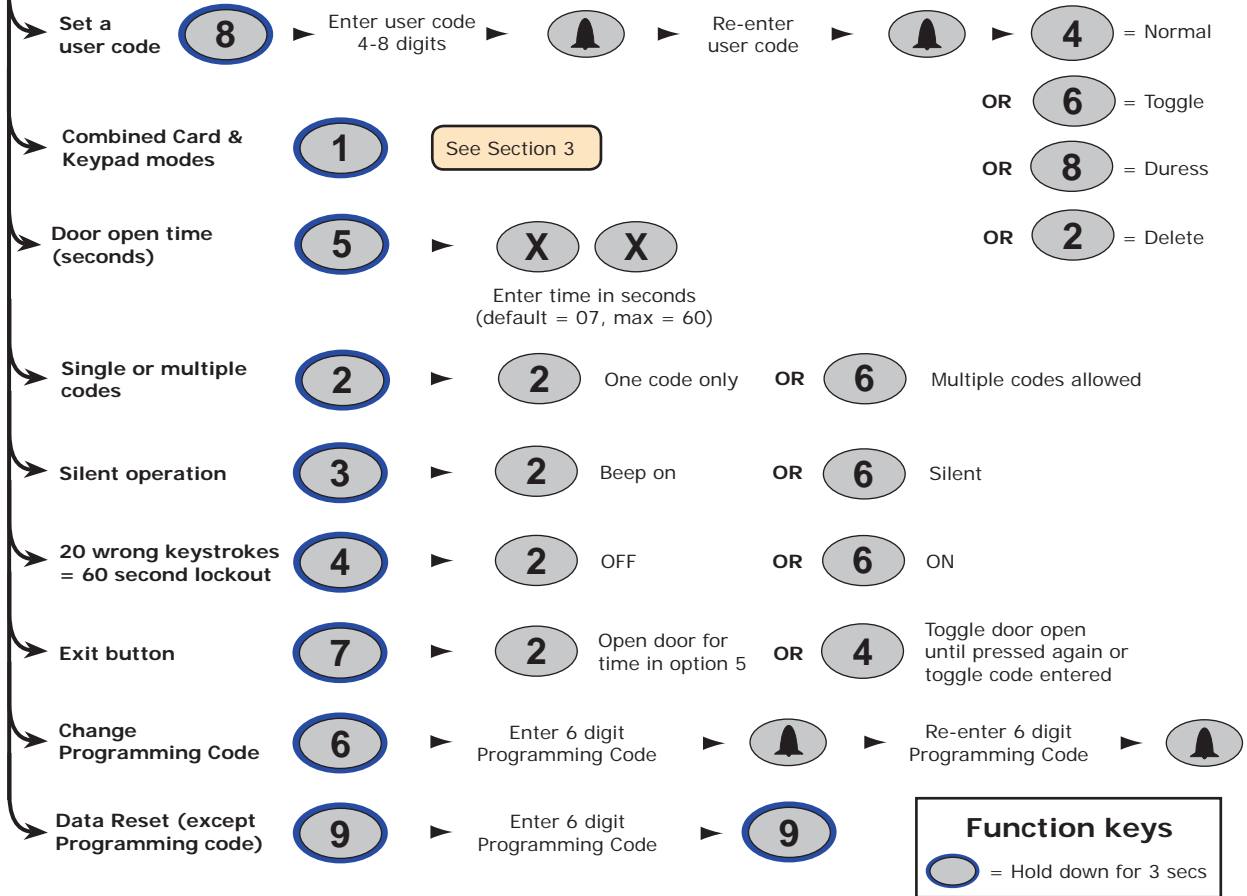
Example: - Setting a user code to unlock the door under Normal condition



This box can be used to write down the Programming Code for future reference.  
Ensure that this information is stored in a secure place.

--	--	--	--	--	--

**START** - Enter the **6 digit Programming Code** and hold down a function key for **3 seconds**. - The unit beeps and the LED flashes faster.  
Continue the key sequence to set the option - The keypad returns to operating mode.



**Section 3 - CARDLOCK/PROXIMITY with TOUCHLOCK mode**

**(i) The KP reader must first be initialised in TOUCHLOCK mode:** See Section 2  
(Note: Individual Toggle function is not available)

**(ii) Set up the required operating mode, as follows:**

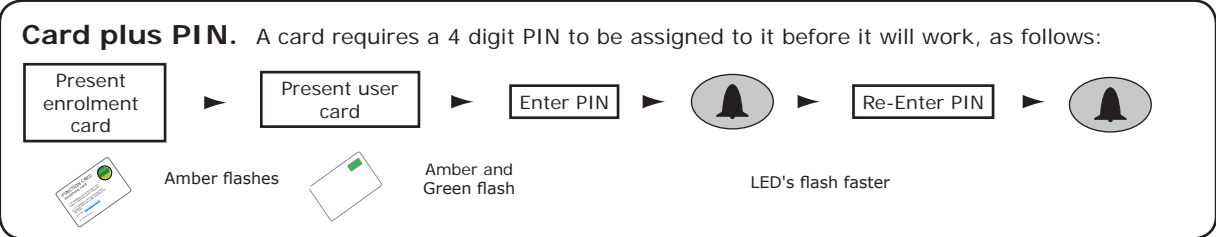
Enter 6 digit Programming Code ▶ **1** (Hold for 3 secs) ▶ **1** Card plus PIN OR **2** Card plus code OR **3** Card or Code

**(iii) Present enrolment card**

**Card plus Code.** Access is granted by presenting a valid token and then entering a valid user code.

**Card or Code.** Access is granted by presenting a valid token or entering a valid user code.

Touchlock programming - Function 2 to enable multiple user codes, Function 8 to add user codes. (4 digits)



## FACTORY RESET

1. Disconnect power
2. Disconnect **GREEN** and **MAUVE** wires
3. Insert link wire between **GREEN** and **MAUVE** terminals
4. Reconnect power - unit will beep 4 times
5. Disconnect power
6. Remove link wire
7. Reconnect **GREEN** and **MAUVE** wires
8. Reconnect power - unit will beep 3 times a second
9. Proceed with [Initialising a new system](#)

## Specifications

Features	Min	Max	
Number of Users	1	10,000	
Number of Codes		50	
Code length	4 digits	8 digits	
Number of PIN's		3,000	
Readers per interface	1	3	
Door open time	1 sec	60 secs	
Time zones (with additional time clock)	1	2	
Access levels (Color Zones)	1	3	
Silent operation			Yes
Can be used with fail OPEN locks			Yes
Can be used with fail CLOSED locks			Yes
Exit button input			Yes
Door Contact input			Yes
Alarm/bell output voltage			Yes
Electrical	Min	Max	
Voltage	11V DC	14V DC	
Current		80 mA	
Relay switchable voltage		24V DC	
Switchable current		4 A	
Environment	Min	Max	
Operating temperature	-20°C (-4°F)	55°C (131°F)	
Waterproof	NO - If used externally, it must be protected in a plastic weatherproof housing		
Dimensions	Width	Height	Depth
Control Unit	2 3/4 in	2 3/4 in	1 in
Plastic Cabinet	7 7/8 in	7 7/8 in	3 in

### Class B digital devices.

This equipment has been tested and found to comply with the limits for a Class B digital device, pursuant to Part 15 of the FCC Rules. These limits are designed to provide reasonable protection against harmful interference in a residential installation. This equipment generates, uses and can radiate radio frequency energy and, if not installed and used in accordance with the instructions, may cause harmful interference to radio communications. However, there is no guarantee that interference will not occur in a particular installation. If this equipment does cause harmful interference to radio or television reception, which can be determined by turning the equipment off and on, the user is encouraged to try to correct the interference by one or more of the following measures:

- Reorient or relocate the receiving antenna.
- Increase the separation between the equipment and receiver.
- Connect the equipment into an outlet on a circuit different from that to which the receiver is connected.
- Consult the dealer or an experienced radio/TV technician for help.

### Class A digital devices.

This equipment has been tested and found to comply with the limits for a Class A digital device, pursuant to part 15 of the FCC Rules. These limits are designed to provide reasonable protection against harmful interference when the equipment is operated in a commercial environment. This equipment generates, uses, and can radiate radio energy and, if not installed and used in accordance with the instruction manual, may cause harmful interference to radio communications. Operation of this equipment in a residential area is likely to cause harmful interference in which case the user will be required to correct the interference at his own expense.