

Technical Support



1.800.672.PAXT





support@paxton-access.com


Technical help is available: Monday - Friday from 02:00 AM - 8:00 PM (EST)
Saturday from 04:00 AM - 08:00 AM (EST)

Documentation on all Paxton products can be found on our web site - <http://www.paxton-access.com/>

Suitability

Security sensitive doors 

Mounted on metal surface 

Wet environments 

Readers mounted together

12 inches
between
readers

Fitting



Reader covers

Additional covers are available in black, white, grey, blue and silver. Registered installers can order these free of charge by logging onto the secure installer extranet: <http://paxton.info/1035>. If you are not a registered installer please call us on: **877.438.7298** for more information.

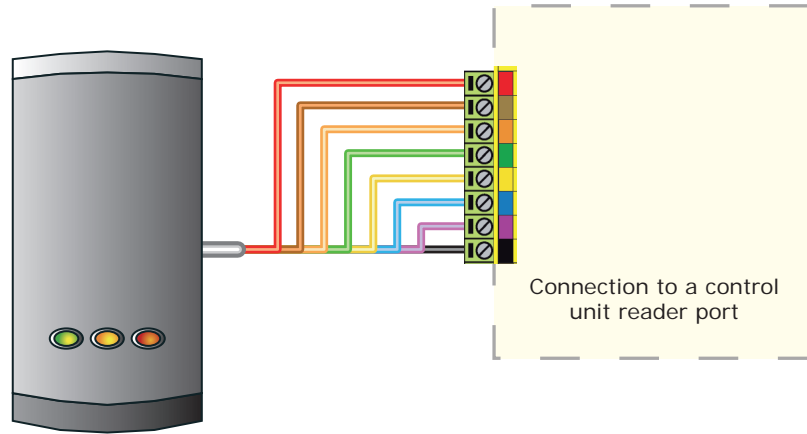
Cable extensions

Readers can be extended using Belden 9538 8 core or General Cable C0744A overall screened cable to a maximum of 500 feet.

This device complies with Part 15 of the FCC Rules. Operation is subject to the following two conditions:

(1) this device may not cause harmful interference, and (2) this device must accept any interference received, including interference that may cause undesired operation. Changes or modifications not expressly approved by the party responsible for compliance could void the user's authority to operate the equipment.

Wiring



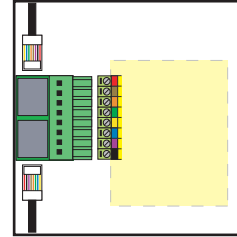
Connection modules



Reader junction box (325-020-US)

This module can be used to provide a connection point for the reader RJ45 plug. The terminals on the module are then wired color for color to the controller.

Alternatively, the reader can be wired directly into the screw terminals of the control unit by first cutting off the RJ45 plug and stripping back the wires in the cable.



Reader Port Module (325-030-US)

This module may be purchased separately to speed up the installing and replacement of readers.

The reader port module is designed to convert the standard reader ports on Switch2 and Net2 controllers to accept one or two RJ45 connections. Pull off the screw terminal block from the reader port and simply replace it with this module.

Further information on how to purchase Installer Tools is available at: <http://paxton.info/841>

Specifications

| Environment | Min | Max | |
|------------------------------------|-----------------|------------------|------------------|
| Operating temperatures - all items | -35 °C (-31 °F) | +66 °C (+151 °F) | |
| Waterproof | | | Yes - Rated IPX7 |
| Cable length | | | 5 yards |
| Electrical | Min | Max | |
| Voltage | 10V DC | 14V DC | |
| Current | | 170 mA | |
| Carrier frequency | | | 125 kHz |
| | | | 13.56 MHz |
| Clock and data bit period | 570 µs | 700 µs | |
| Dimensions | Width | Height | Depth |
| | 2 inch | 4 inch | 5/8 inch |

Token type and read range

| | | | | | |
|-----------------------|------------|------------------|------------|-----------------|--------|
| Mifare 1K | 2 inch | Net2 keyfob | 1 inch | EM4100 keyfob | 2 inch |
| Mifare 4K | 1 1/2 inch | Net2 token | 3 inch | EM4100 card | 2 inch |
| Mifare Ultralight / C | 1 inch | Net2 watchprox | 1 inch | EM4100 proxdisc | 1 inch |
| Mifare Desfire | 1 inch | Hitag2 ISO | 2 1/2 inch | Hitag1 ISO | 2 inch |
| | | Hands Free Token | 30 inch | | |

This product is not suitable for retail sale. All warranties are invalid if this product is not installed by a competent person.

Technical Support



1.800.672.PAXT





support@paxton-access.com


Technical help is available: Monday - Friday from 02:00 AM - 8:00 PM (EST)
Saturday from 04:00 AM - 08:00 AM (EST)

Documentation on all Paxton products can be found on our web site - <http://www.paxton-access.com/>

Suitability

Security sensitive doors 

Mounted on metal surface 

Wet environments 

Readers mounted together

12 inches
between
readers

Fitting



Reader covers

Additional covers are available in black, white, grey, blue and silver. Registered installers can order these free of charge by logging onto the secure installer extranet: <http://paxton.info/1035>. If you are not a registered installer please call us on: **877.438.7298** for more information.

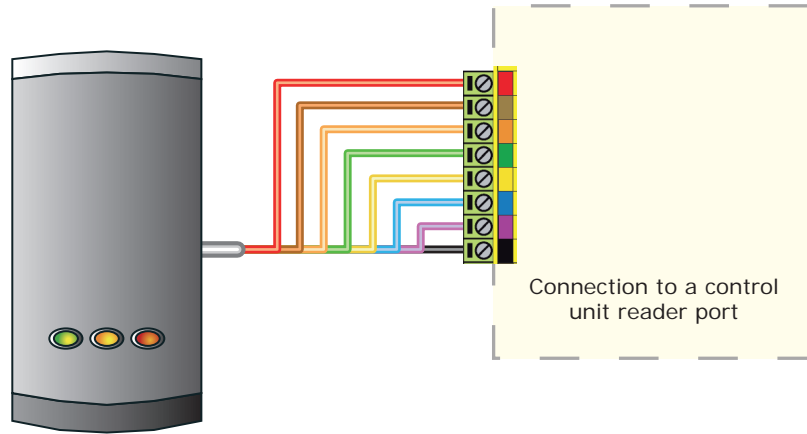
Cable extensions

Readers can be extended using Belden 9538 8 core or General Cable C0744A overall screened cable to a maximum of 500 feet.

This device complies with Part 15 of the FCC Rules. Operation is subject to the following two conditions:

(1) this device may not cause harmful interference, and (2) this device must accept any interference received, including interference that may cause undesired operation. Changes or modifications not expressly approved by the party responsible for compliance could void the user's authority to operate the equipment.

Wiring



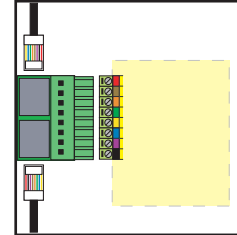
Connection modules



Reader junction box (325-020-US)

This module can be used to provide a connection point for the reader RJ45 plug. The terminals on the module are then wired color for color to the controller.

Alternatively, the reader can be wired directly into the screw terminals of the control unit by first cutting off the RJ45 plug and stripping back the wires in the cable.



Reader Port Module (325-030-US)

This module may be purchased separately to speed up the installing and replacement of readers.

The reader port module is designed to convert the standard reader ports on Switch2 and Net2 controllers to accept one or two RJ45 connections. Pull off the screw terminal block from the reader port and simply replace it with this module.

Further information on how to purchase Installer Tools is available at: <http://paxton.info/841>

Specifications

| Environment | Min | Max | |
|------------------------------------|-----------------|------------------|------------------|
| Operating temperatures - all items | -35 °C (-31 °F) | +66 °C (+151 °F) | |
| Waterproof | | | Yes - Rated IPX7 |
| Cable length | | | 5 yards |
| Electrical | Min | Max | |
| Voltage | 10V DC | 14V DC | |
| Current | | 170 mA | |
| Carrier frequency | | | 125 kHz |
| | | | 13.56 MHz |
| Clock and data bit period | 570 µs | 700 µs | |
| Dimensions | Width | Height | Depth |
| | 2 inch | 4 inch | 5/8 inch |

Token type and read range

| | | | | | |
|-----------------------|------------|------------------|------------|-----------------|--------|
| Mifare 1K | 2 inch | Net2 keyfob | 1 inch | EM4100 keyfob | 2 inch |
| Mifare 4K | 1 1/2 inch | Net2 token | 3 inch | EM4100 card | 2 inch |
| Mifare Ultralight / C | 1 inch | Net2 watchprox | 1 inch | EM4100 proxdisc | 1 inch |
| Mifare Desfire | 1 inch | Hitag2 ISO | 2 1/2 inch | Hitag1 ISO | 2 inch |
| | | Hands Free Token | 30 inch | | |

This product is not suitable for retail sale. All warranties are invalid if this product is not installed by a competent person.