

PROXIMITY Marine Reader

System specifications

Cable Length	5m/16ft
Cable extension length and type	≤ 25m/82ft Belden 9538/ Belden 5506FE (USA) ≤ 100m/328ft Belden 9540/ Belden 5306FE (USA)
Token compatibility	Paxton, EM HID® Prox (Activation Required)
Handsfree compatible	Yes
Versions	Satin or bright chrome

Electrical

Operating Voltage	10V - 14V DC
Current consumption	220mA

Environment

Operating temperature	-35°C - +70°C -31°F - +158°F
Moisture resistance	IPX7
Vandal Resistance	Medium

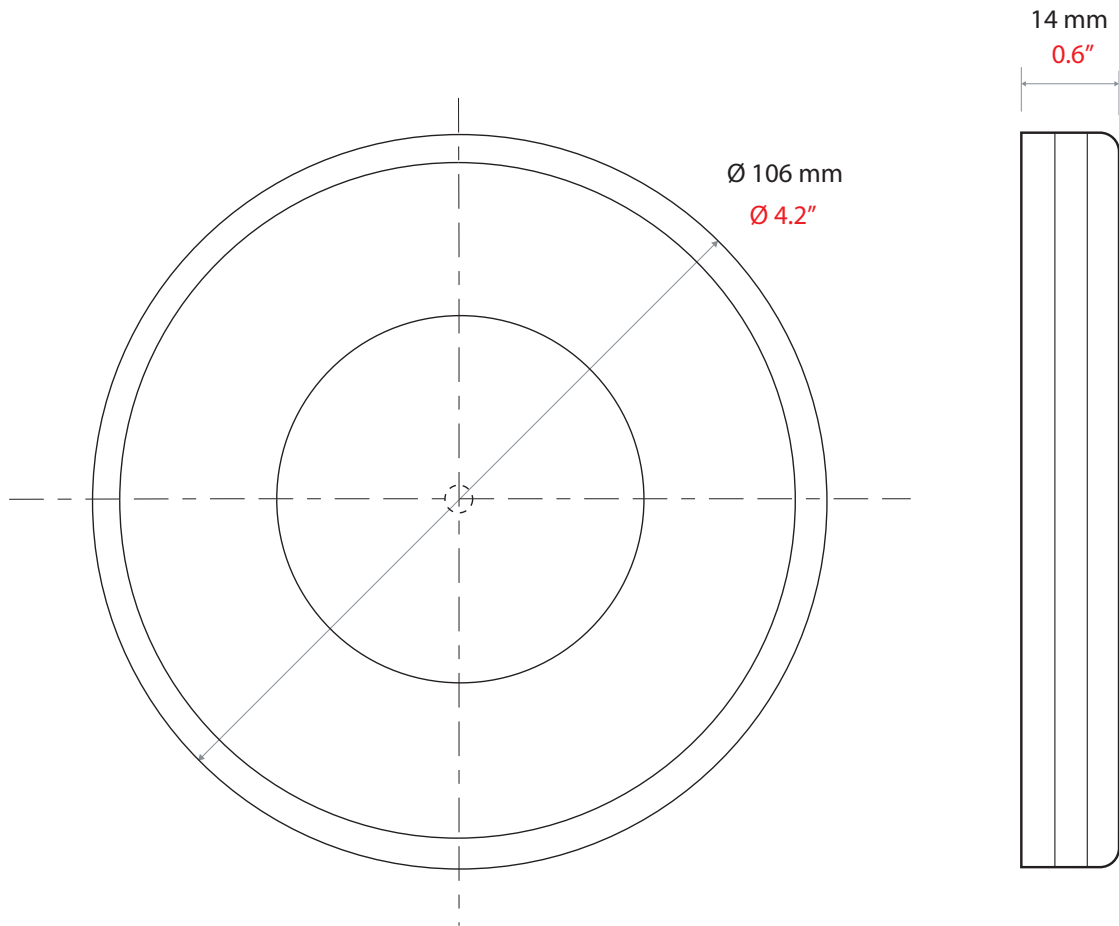


The proximity marine readers are RFID devices that offer the convenience of contactless authentication for system users.

They are available for use with both Switch2 and Net2 systems. The reader is wired as shown on the control unit label.

A token is read by holding it within close proximity of the reader. Once a token has been read the control unit looks up the access permissions of that user. The control unit verifies the information and grants or denies access as appropriate.

By default, all the reader emits a soft blue glow. If access is granted, the reader flashes Green. If access is denied, the reader flashes Red. An audible tone is emitted in both cases.



Accessories and sales codes

PROXIMITY Marine Reader 500-010

PROXIMITY Marine reader - Chrome 500-020