

Proximity long range reader

System specifications

Cable Length	5m/16ft	
Cable extension length and type	≤ 25m/82ft	Belden 9538/ Belden 5506FE (USA) General Cable equivalent C0744A/ General Cable equivalent E2008S
	≤ 100m/328ft	Belden 9540/ Belden 5306FE (USA) General Cable equivalent C0745A/ General Cable equivalent E2038S

Token compatibility Paxton EM

Handsfree compatible Yes

Electrical

Operating Voltage 10V - 14V DC

Current consumption 1.1A

Environment

Operating Temperature -35°C - +66°C
-31°F - +151°F

Moisture resistance IP66

Vandal Resistance Medium



The proximity long range readers are RFID devices that offer the convenience of contactless authentication for system users.

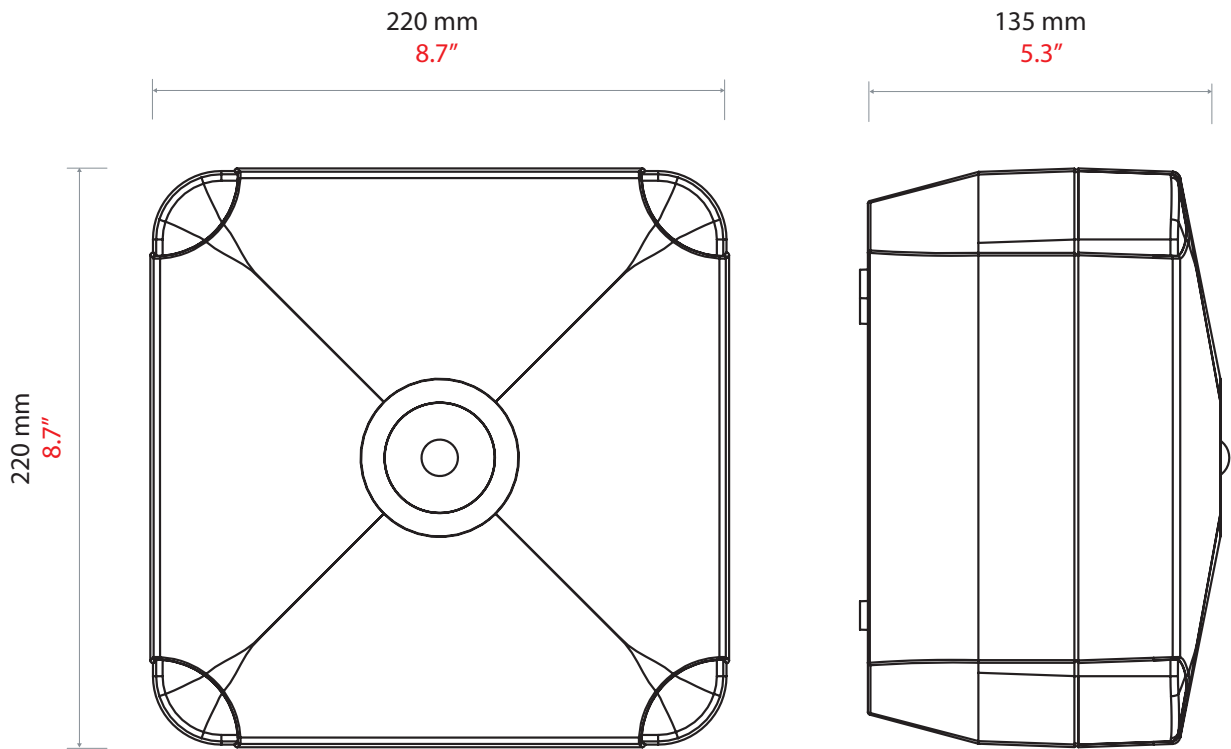
They are available for use with both Switch2 and Net2 systems

The reader is wired as shown on the control unit label.

A token is read by holding it within close proximity of the reader.

Once a token has been read the control unit looks up the access permissions of that user. The control unit verifies the information and grants or denies access as appropriate.

By default, all the reader LEDs state is Red. If access is granted, the reader flashes Green. If access is denied, the reader flashes Red! An audible tone is emitted in both cases.



Accessories and sales codes

Proximity long range reader

313-110-US

