

Proximity reader - Backbox, Black or white

System specifications

Cable Length	None included	
Cable extension length and type	≤ 25m/82ft	Belden 9538/ Belden 5506FE (USA)
	≤ 100m/328ft	Belden 9540/ Belden 5306FE (USA)
Token compatibility	Paxton EM HID (Activation required) Wiegand (Activation required)	
Versions	Belden 9540	
Handsfree compatible	Yes	
Wiegand	Yes (Max 50 bits)	

Electrical

Operating Voltage	10V - 14V DC
Current consumption	140mA

Environment

Operating temperature	-20°C - +55°C -4°F - +131°F
Moisture resistance	No
Vandal Resistance	Medium



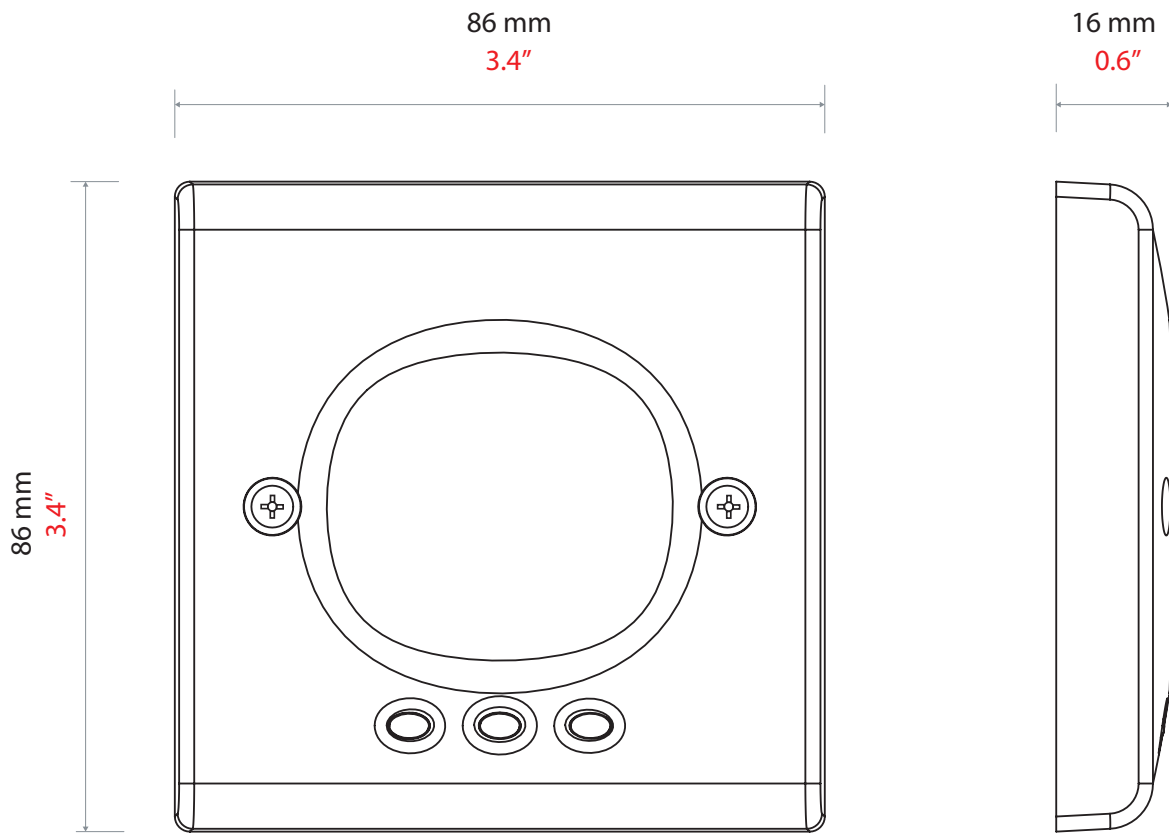
The proximity backbox readers are RFID devices that offer the convenience of contactless authentication for system users.

They are available for use with both Switch2 and Net2 systems. The readers are supplied with a choice of black or white covers/bezels. The reader is wired as shown on the control unit label.

Note: Be sure to avoid mounting proximity readers on metal surfaces or near other proximity readers as this will affect the read range.

A token is read by holding it within close proximity of the reader. Once a token has been read the control unit looks up the access permissions of that user. The control unit verifies the information and grants or denies access as appropriate.

By default, all 3 LEDs are lit. If access is granted, the green LED flashes. If access is denied, the red LED flashes. An audible tone is emitted in both cases.



Accessories and sales codes

Proximity reader - UK Backbox, Black

370-225 BL

Proximity reader - UK Backbox, White

370-225 WT