

Compact PROXIMITY Vandal Proof Reader

System specifications

Maximum total users/tokens	10,000
Door open time	1 sec - 60 secs
Readers per door	1
Exit button input	Yes
Silent operation	Yes
Data retention during a total power loss	>10 years

Electrical

Operating Voltage	11V - 14V DC
Current consumption	160mA
12V DC lock output	750mA @ 12V

Environment

Operating temperature	-20°C - +55°C -4°F - +131°F
Moisture resistance	IPX7
Vandal Resistance	High



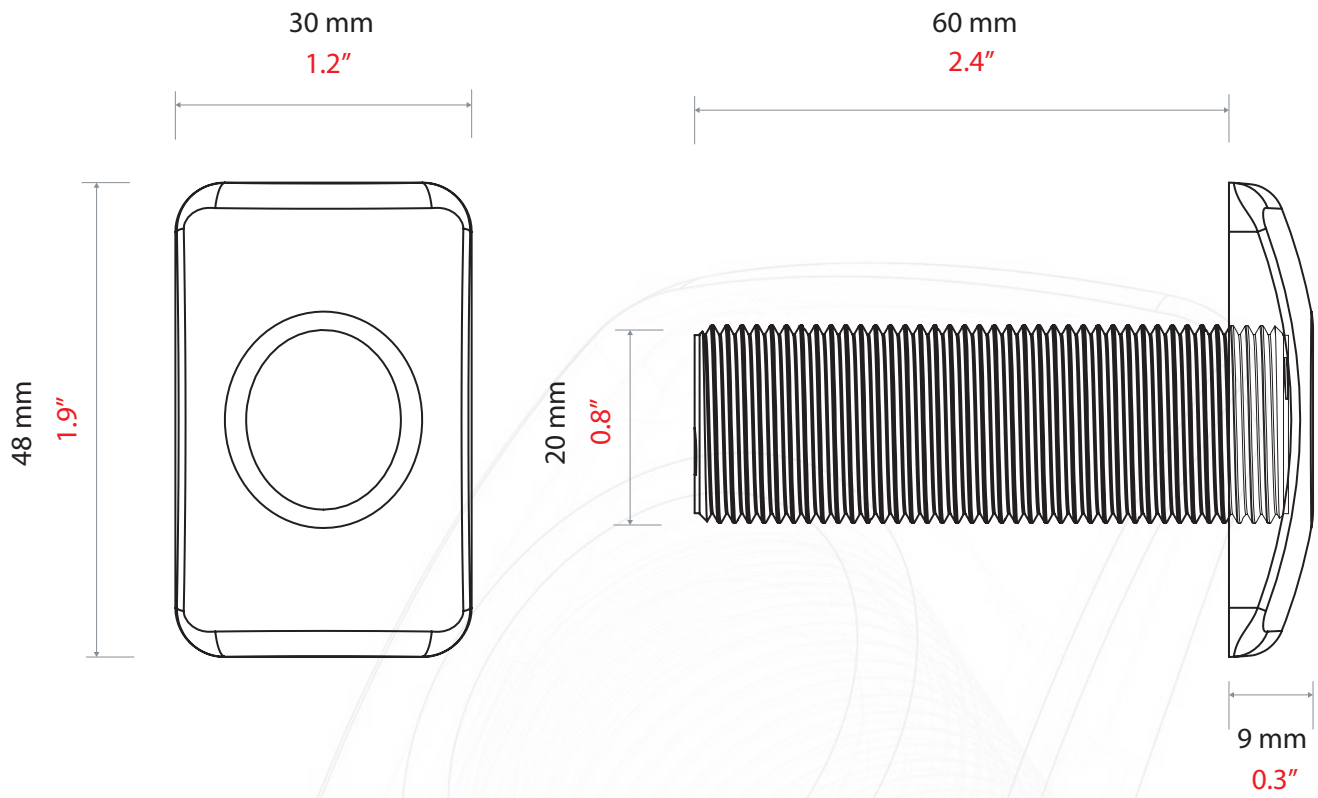
The compact vandal proof proximity readers are RFID devices that offer the convenience of contactless authentication for system users.

All compacts are standalone, meaning that they do not use a PC in their set up. The Compact products are a control unit and reader in one; they are great for lower security internal and external doors that need to have restricted access.

Note: Be sure to avoid mounting proximity readers on metal surfaces or near other proximity readers as this will affect the read range.

The readers are supplied with a choice of black or white covers/bezels.

A token is read by holding it within close proximity of the reader. If access is granted or denied, an audible tone is emitted.



Accessories and sales codes

Compact PROXIMITY Vandal proof reader

326-735