

# Compact CARDLOCK Reader

## System specifications

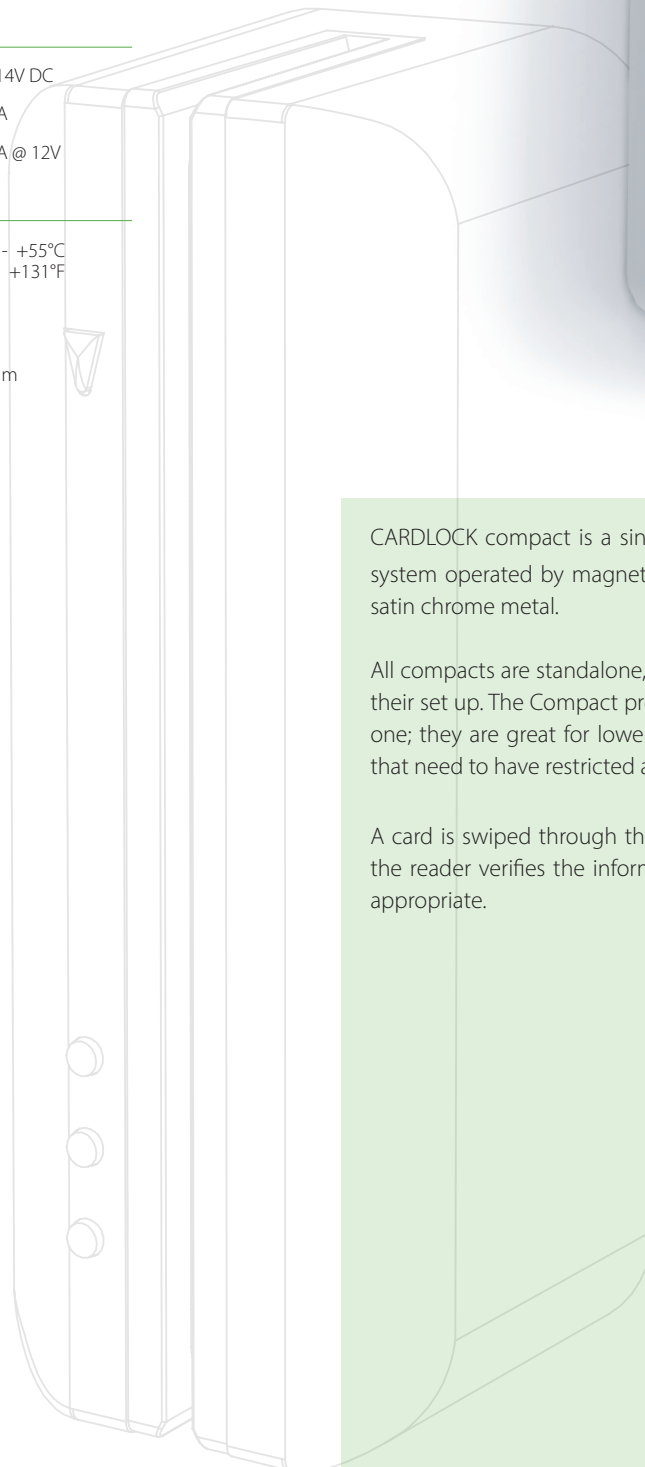
Maximum total users/tokens	10,000
Door open time	1 sec - 60 secs
Readers per door	1
Exit button input	Yes
Silent operation	Yes
Data retention during a total power loss	>10 years

## Electrical

Operating Voltage	11V - 14V DC
Current consumption	110mA
12V DC lock output	750mA @ 12V

## Environment

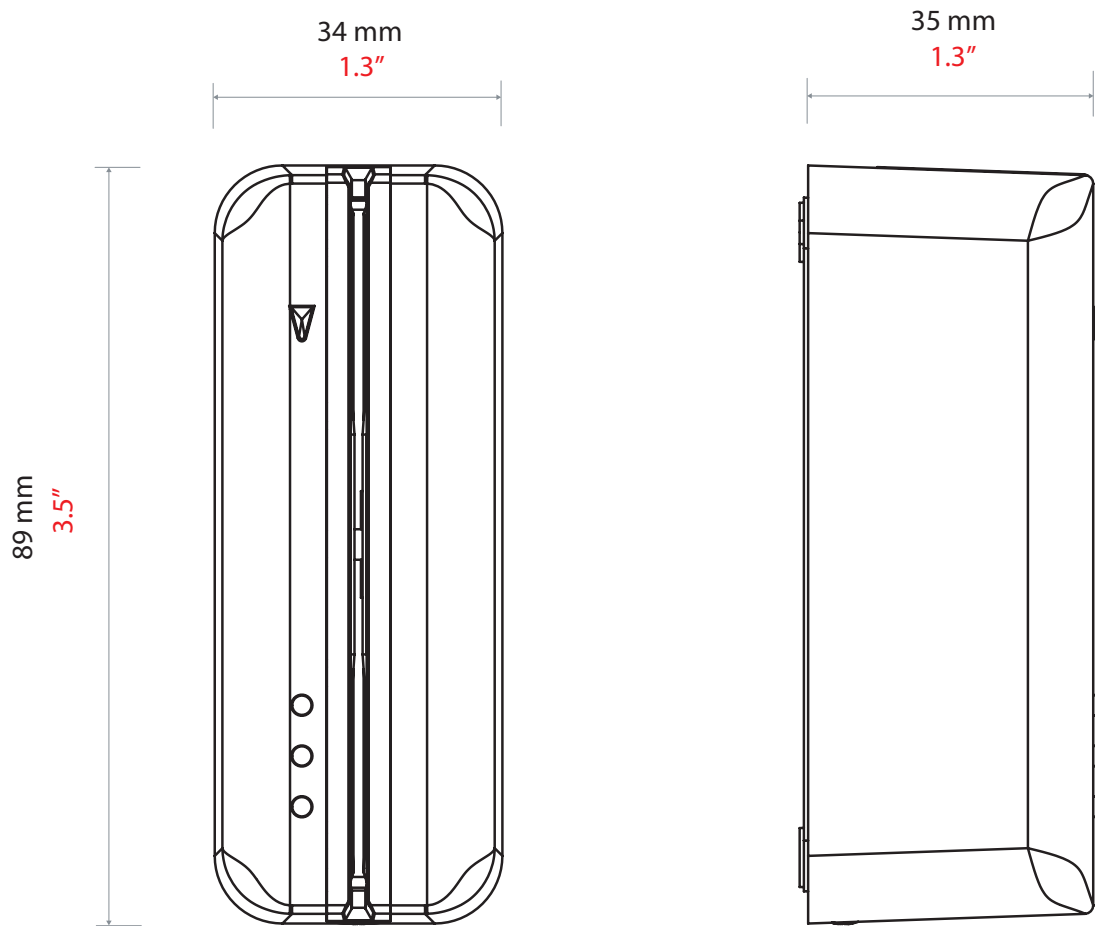
Operating temperature	-20°C - +55°C -4°F - +131°F
Moisture resistance	IPX7
Vandal Resistance	Medium



CARDLOCK compact is a single door, single reader access control system operated by magnetic stripe cards. The reader comes in a satin chrome metal.

All compacts are standalone, meaning that they do not use a PC in their set up. The Compact products are a control unit and reader in one; they are great for lower security internal and external doors that need to have restricted access.

A card is swiped through the reader. Once a card has been read, the reader verifies the information and grants or denies access as appropriate.



Accessories and sales codes

Compact CARDLOCK reader - Satin chrome 945-803 SC

