

Paxton Exit - E50 & E75

System specifications

Cable Length	5m/16ft (Screw connector - None)	
Cable extension length and type	≤ 25m/82ft ≤ 100m/328ft	Belden 9538/ Belden 5506FE (USA) Belden 9540/ Belden 5306FE (USA)
Additional coloured covers available	Yes	
Handsfree compatible	No	
Electrical		
Operating Voltage	10V - 14V DC	
Current consumption	70mA	
Environment		
Operating temperature	-20°C - +55°C -4°F - +131°F	
Moisture resistance	No	
Vandal Resistance	Medium	

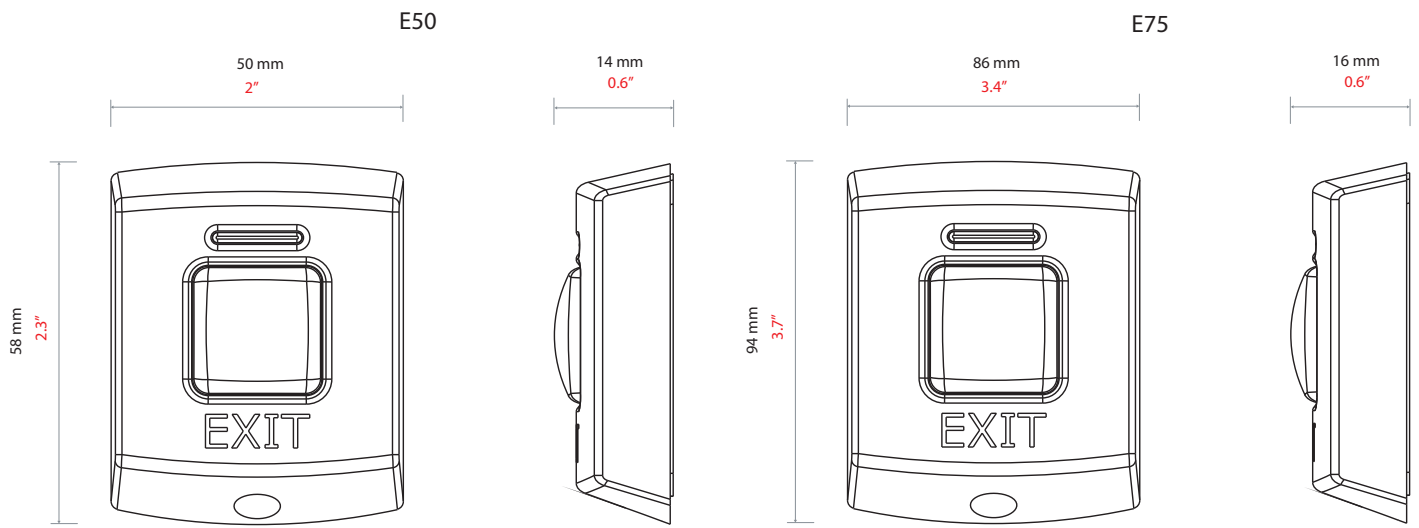


Exit buttons may be used with Compact, Switch2, Net2 or Paxton10 systems. They are supplied with a choice of black or white covers. The E series exit buttons are available in three sizes and are only suitable for interior use.

The E75 exit button fits on a standard UK recessed backbox.

The green LED is lit continuously. When the exit button is pressed, the green LED flashes to indicate that the door is unlocked (only when used with Switch2 and Net2).

EXIT



Accessories and sales codes

Paxton Exit button - E50

356-310-EX

Paxton Exit button - E75

376-310-EX

