

Paxton Exit - E50 & E75

System specifications

| | |
|--------------------------------------|--|
| Cable Length | 5m/16ft (Screw connector - None) |
| Cable extension length and type | ≤ 25m/82ft Belden 9538/ Belden 5506FE (USA) ≤ 100m/328ft Belden 9540/ Belden 5306FE (USA) |
| Additional coloured covers available | Yes |
| Handsfree compatible | No |
| Electrical | |
| Operating Voltage | 10V - 14V DC |
| Current consumption | 70mA |
| Environment | |
| Operating temperature | -20°C - +55°C -4°F - +131°F |
| Moisture resistance | No |
| Vandal Resistance | Medium |

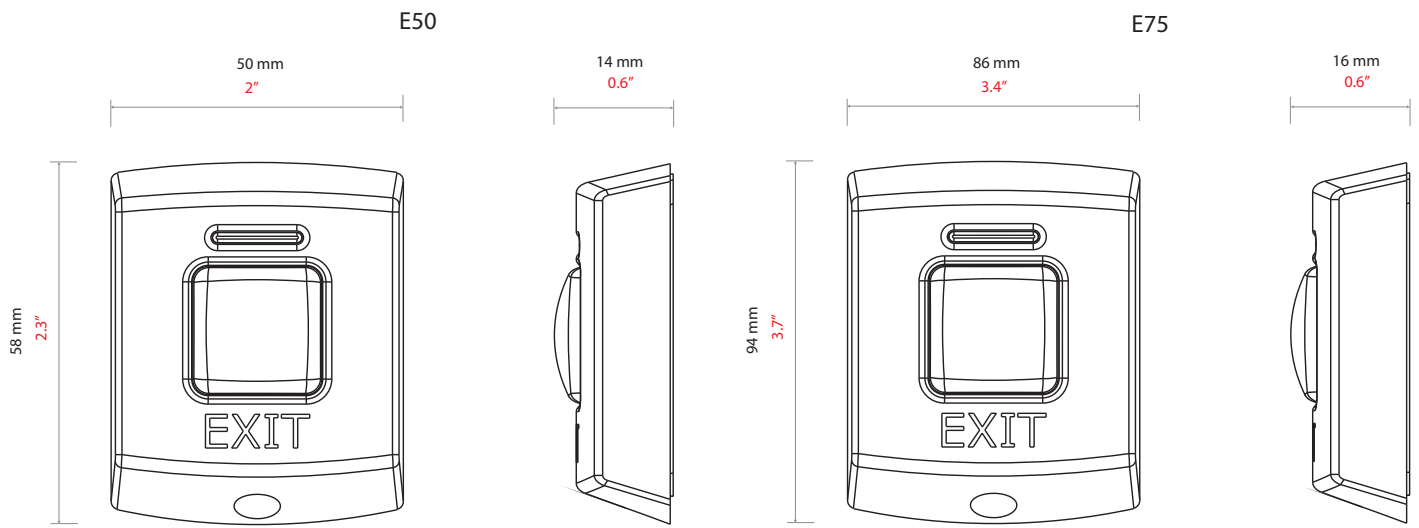


Exit buttons may be used with Compact, Switch2, Net2 or Paxton10 systems. They are supplied with a choice of black or white covers. The E series exit buttons are available in three sizes and are only suitable for interior use.

The E75 exit button fits on a standard UK recessed backbox.

The green LED is lit continuously. When the exit button is pressed, the green LED flashes to indicate that the door is unlocked (only when used with Switch2 and Net2).

EXIT



Accessories and sales codes

Paxton Exit button - E50

356-310-EX

Paxton Exit button - E75

376-310-EX

