

Net2 Desktop reader - Proximity and magstripe

System specifications

Cable type	USB
Proximity	Yes
Magstripe	Yes
Token compatibility	Paxton, EM

Electrical

Operating Voltage	5V
Current consumption	100mA

Environment

Operating temperature	0°C - +55°C +32°F - +131°F
Moisture resistance	No

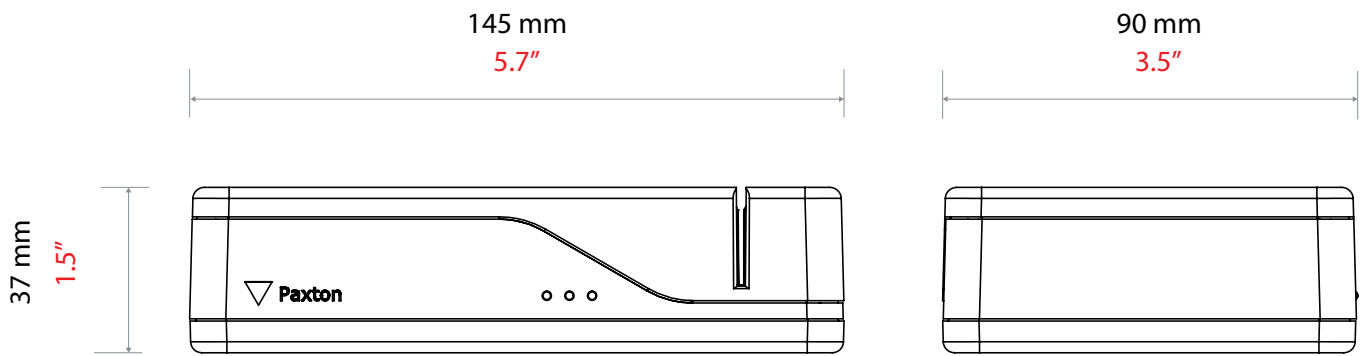


The proximity and magstripe desktop reader is designed to sit next to the PC. It is used for adding tokens to a Net2 system. It can also be used for identifying lost tokens.

Simply plug into the USB port. No other connections are necessary. Additional workstations can also have desktop readers.

If a new token is presented to the desktop reader then the new user wizard will appear with the appropriate card number. The name and details of the new user can be entered and the token issued.

If a token which is already known to the system is presented to the desktop reader, then the relevant users' record will appear.



Accessories and sales codes

Net2 Desktop reader - Proximity and magstripe

350-910

Net2 Desktop Reader

514-326