

## 12V 1A DC power supply - Plastic housing

### System specifications

|                                          |             |
|------------------------------------------|-------------|
| Cabinet construction                     | ABS Plastic |
| ACU integration                          | No          |
| Data retention during a total power loss | >10 years   |

### Electrical

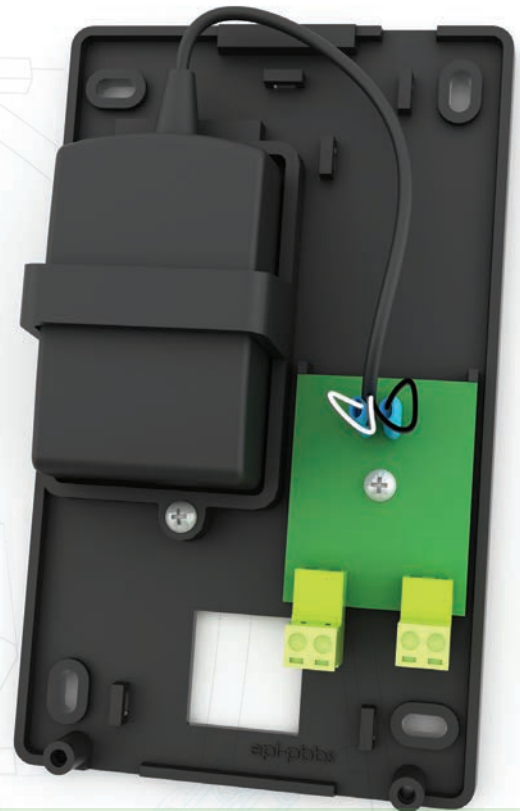
|                      |                      |
|----------------------|----------------------|
| Operating Voltage    | 11.9V - 12.1V DC     |
| Supply voltage input | 100 - 240V AC (1.2A) |
| Output current       | 12V DC (2A)          |

### Features

|               |     |
|---------------|-----|
| Tamper switch | No  |
| Fitting kit   | Yes |

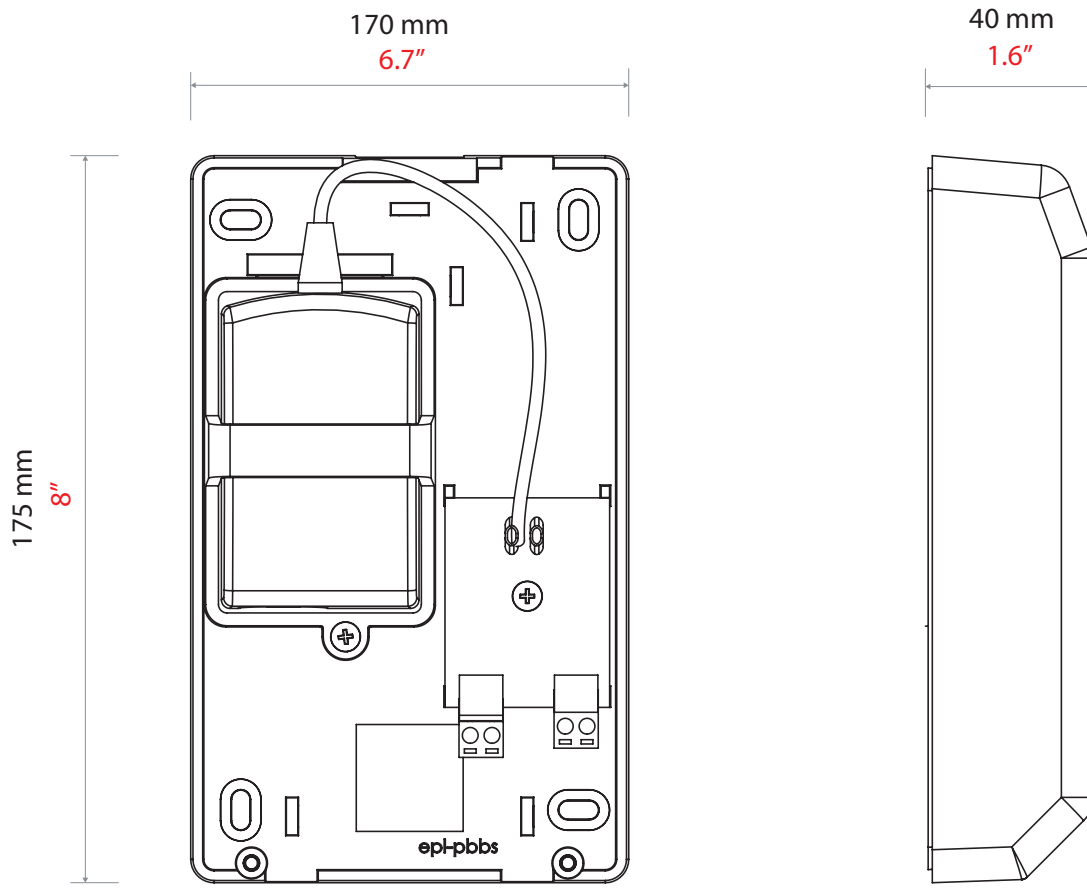
### Environment

|                     |                                                                         |
|---------------------|-------------------------------------------------------------------------|
| Moisture resistance | No - if used externally, it must be protected in a weatherproof housing |
| Vandal Resistance   | Low                                                                     |



The 12V 1A DC power supply is designed to connect to a standard UK mains supply via a switched fused spur connection.

The 12V 1A DC power supply is a low cost alternative to the boxed backup power supplies.



Accessories and sales codes

Paxton 12V 1A DC power supply - Plastic housing 998-241

