

# Net2Air Bridge

## System specification

|               |                  |
|---------------|------------------|
| PoE compliant | IEEE 802.3 af/at |
| Cable type    | CAT5             |
| Weight        | 226 grams        |

## Electrical

|                                     |                      |
|-------------------------------------|----------------------|
| Operating Voltage                   | IEEE 802.3af (15.4W) |
| Wireless frequency                  | 2.4GHz (802.15.4)    |
| DHCP support (fixed IP recommended) | Yes                  |

## Hardware

|  |        |
|--|--------|
| Plasterboard fixing Tensile resistance | 0.06kN |
| Plasterboard fixing Shear resistance   | 0.18kN |

## Communication

|                        |  |
|------------------------|--|
| TCP/IP                 | Yes (Maximum 200 including other ethernet devices - Net2 Plus, I/O Boards) |
| LED status indication  | Yes  |
| Typical wireless range | 15m/50ft   |
| Encryption             | AES128 bit   |

## Environment

|                       |                             |
|-----------------------|-----------------------------|
| Operating Temperature | -0° - +50°<br>+4F° - +131F° |
| Moisture resistance   | No                          |
| Vandal resistance     | No                          |

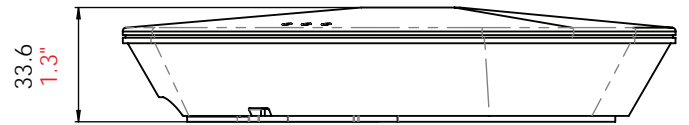
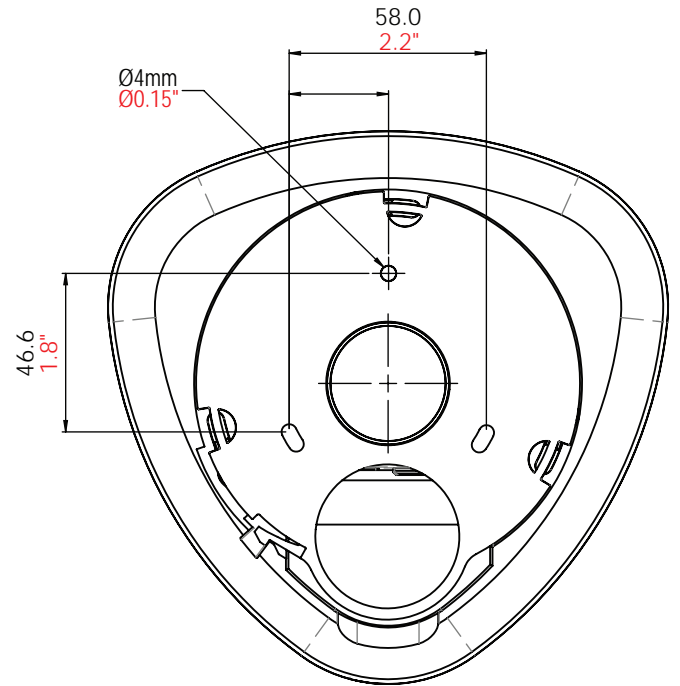
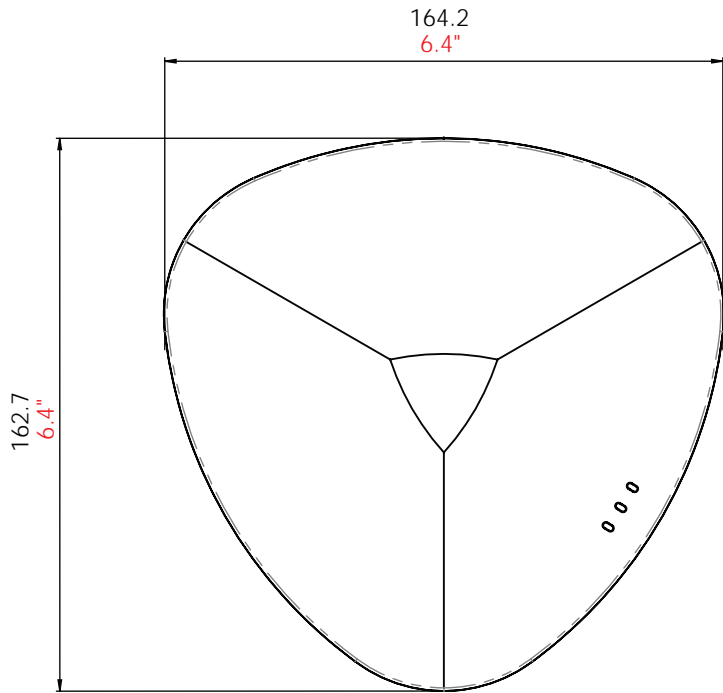
## Certification

|    |         |
|----|---------|
| UL | 60950-1 |
|----|---------|



The Net2Air bridge uses Paxton Access' Net2Air wireless technology to communicate with the Net2 software. The Net2Air Ethernet bridge provides the wireless communication link between the PC running Net2 and wireless control units such as the Paxlock Pro or Net2 Nano.

The Ethernet bridge uses a site's LAN which means that multiple Ethernet bridges can be placed around a site and linked back to the PC.



Accessories and sales codes

Net2Air bridge

477-600-US