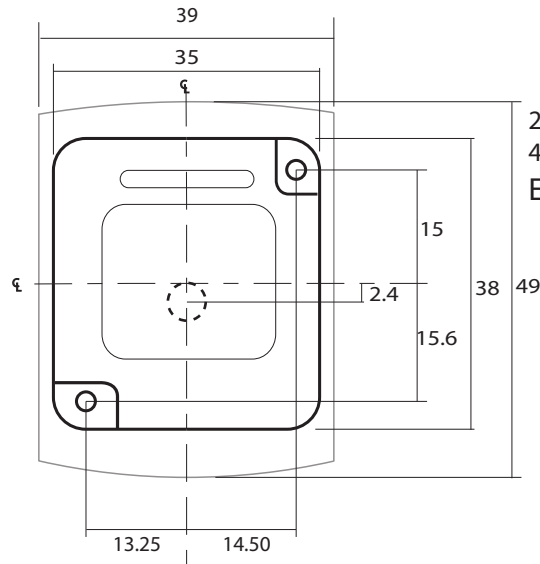
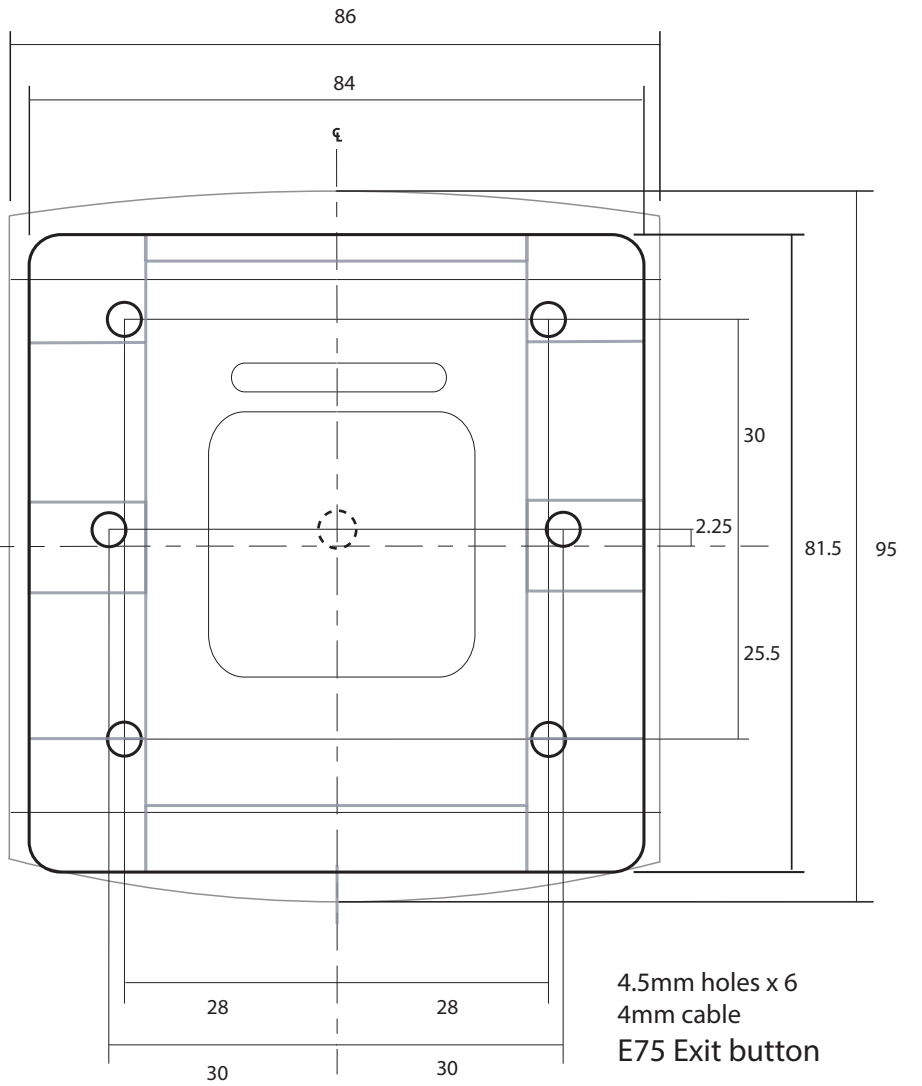
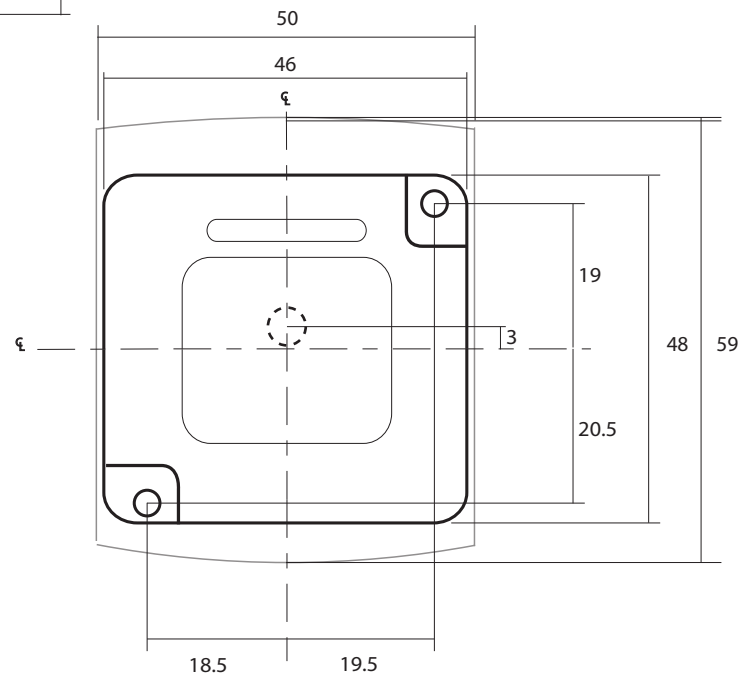


Please note: Check the correct scale of print outs as your printer may cause inaccuracies



2.5mm holes x 2
4mm cable
E38 Exit button



4.5mm holes x 6
4mm cable
E75 Exit button

3.4mm holes x 2
4mm cable
E50 Exit button