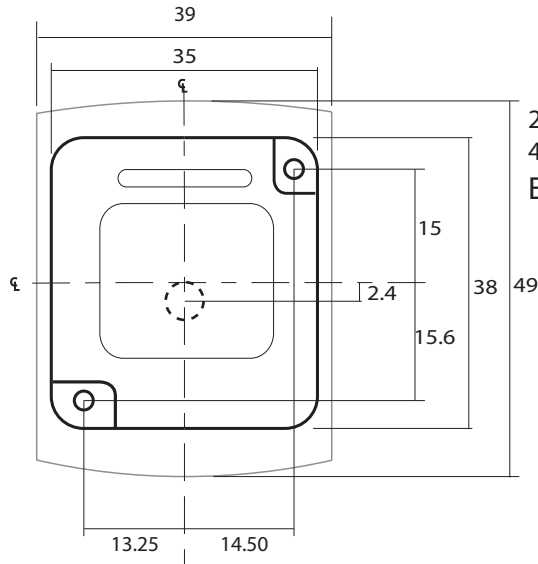


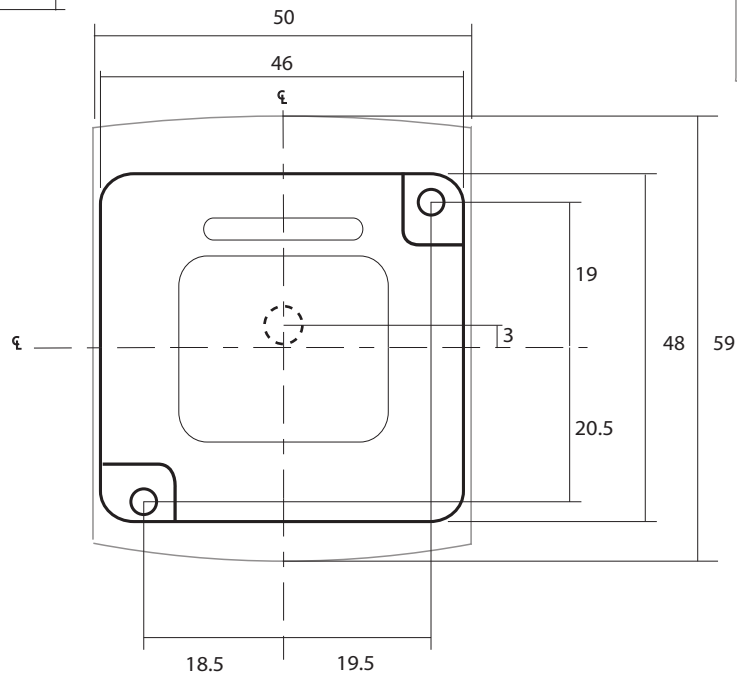


Part Name: E38, E50 and E75 Exit button drilling template		
Scale: 1:1	Unit: mm	Date: 02/09/08
Drawn: E.Hume		

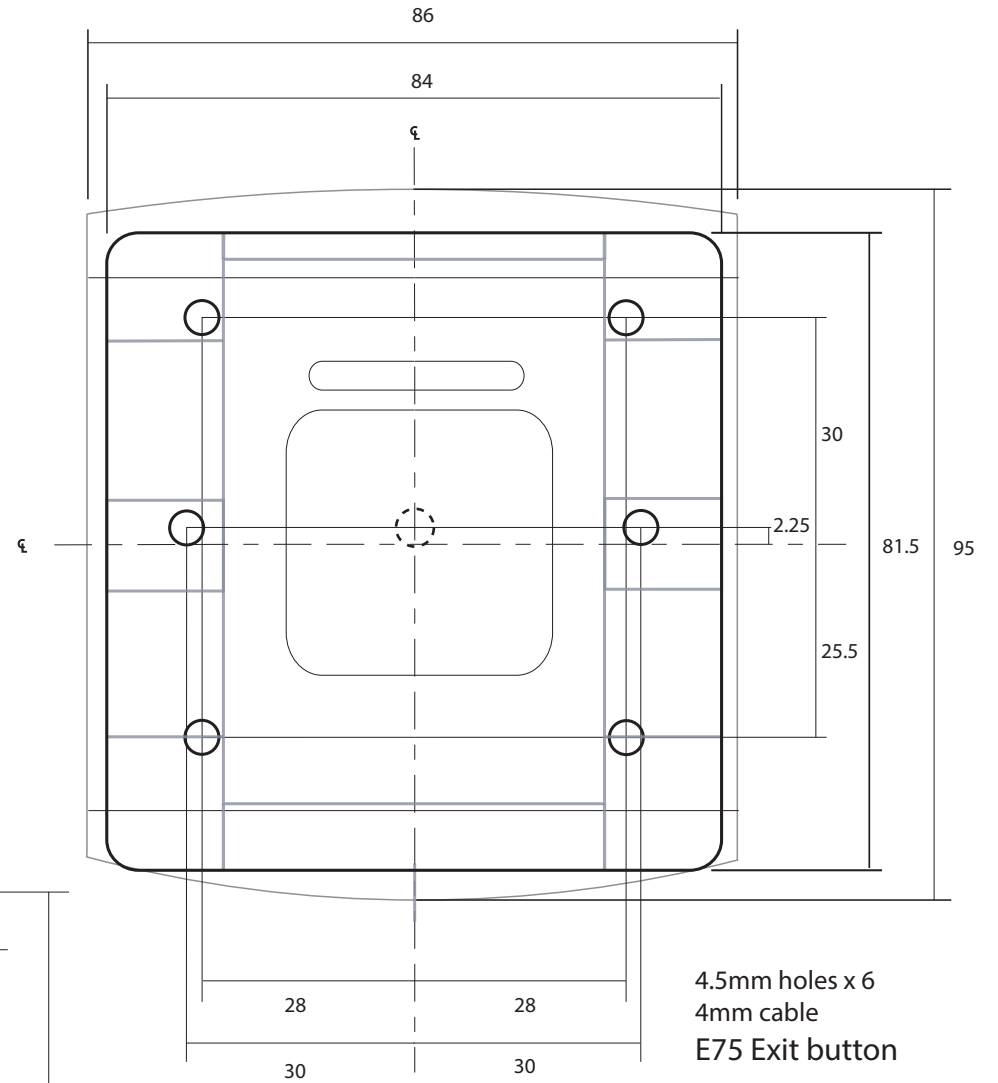
Please note: Check the correct scale of print outs as your printer may cause inaccuracies



2.5mm holes x 2
4mm cable
E38 Exit button



3.4mm holes x 2
4mm cable
E50 Exit button



4.5mm holes x 6
4mm cable
E75 Exit button