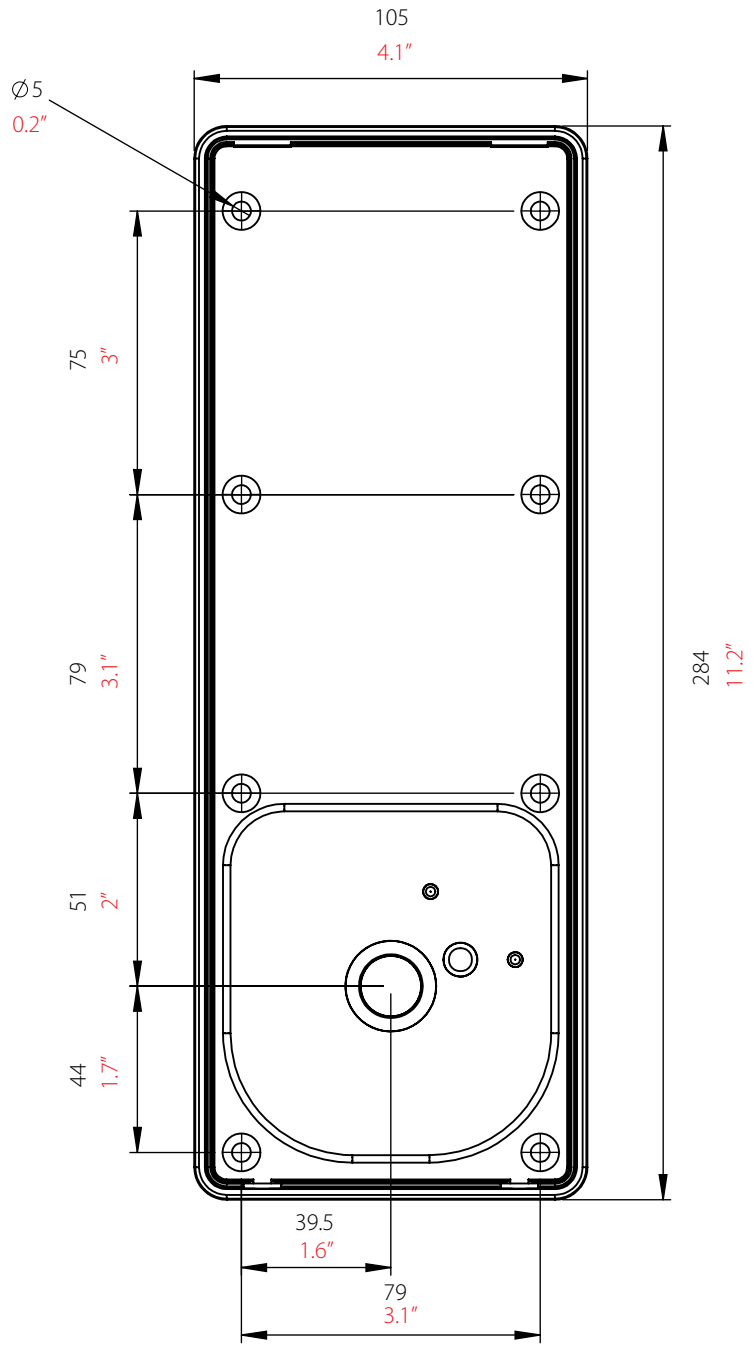


REV.	DESCRIPTION	DATE
------	-------------	------



PROPRIETARY AND CONFIDENTIAL
 THE INFORMATION CONTAINED IN THIS DRAWING IS THE SOLE PROPERTY OF
 PAXTON ACCESS LTD.
 ANY REPRODUCTION IN PART OR AS A WHOLE WITHOUT THE EXPRESS PERMISSION OF
 PAXTON ACCESS LTD IS PROHIBITED.

©2014

Please note: Check the correct scale of print-outs as your printer may cause inaccuracies

	DWG NO:	Issue	A
	Paxton House, Home Farm Road, Brighton, United Kingdom BN1 9RL +44 1273 811011	MATERIAL SPECIFICATION: DEFINED BY PAXTON ACCESS MATERIAL SPECIFICATION DOCUMENT	TITLE: Net2 Entry Panel, Drilling Template
mm inches	UNLESS OTHERWISE SPECIFIED: X = ± 0.500000 X.X = ± 0.200000 X.XX = ± 0.100000 ANGULAR TOL: ±1°	DRAWN: M.Lilley	A4
SCALE: 1:2		SHEET 1 OF 1	