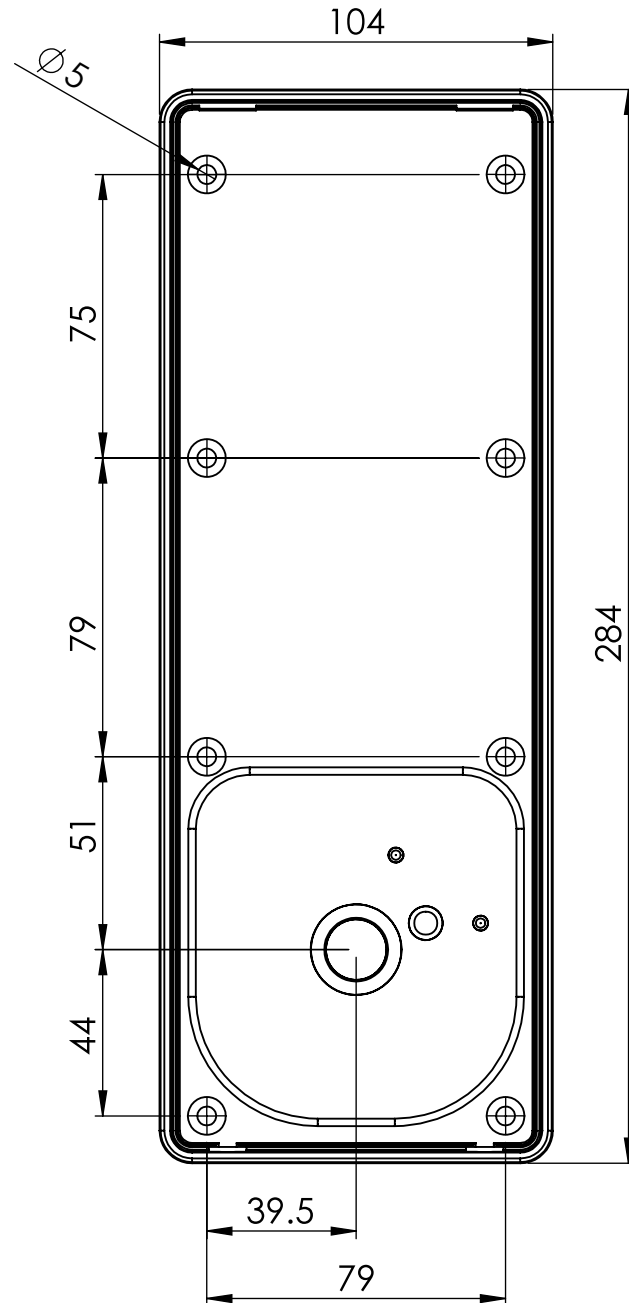


Net2 Entry panel drilling template - mm

5mm Holes x 8



PROPRIETARY AND CONFIDENTIAL
 THE INFORMATION CONTAINED IN THIS DRAWING IS THE SOLE PROPERTY OF
 PAXTON ACCESS LTD.
 ANY REPRODUCTION IN PART OR AS A WHOLE WITHOUT THE EXPRESS PERMISSION OF
 PAXTON ACCESS LTD IS PROHIBITED.
 ©2012

Please note: Check the correct scale of print outs as your printer may cause inaccuracies

		DWG NO:	Issue
Paxton House Home Farm Road, Brighton, United Kingdom BN1 9JH +44 1273 811011		MATERIAL SPECIFICATION:	TITLE: Net2 Entry Panel, Drilling Template
ALL DIMENSIONS IN (MM) DO NOT SCALE DRAWING DEBUR AND BREAK SHARP EDGES IF IN DOUBT ASK		DEFINED BY PAXTON ACCESS MATERIAL SPECIFICATION DOCUMENT UNLESS OTHERWISE SPECIFIED: X = ± 0.500000 X.X = ± 0.200000 X.XX = ± 0.100000 ANGULAR TOL: ±1°	DRAWN: Paxton
		SCALE: 1:2	A4 SHEET 1 OF 1