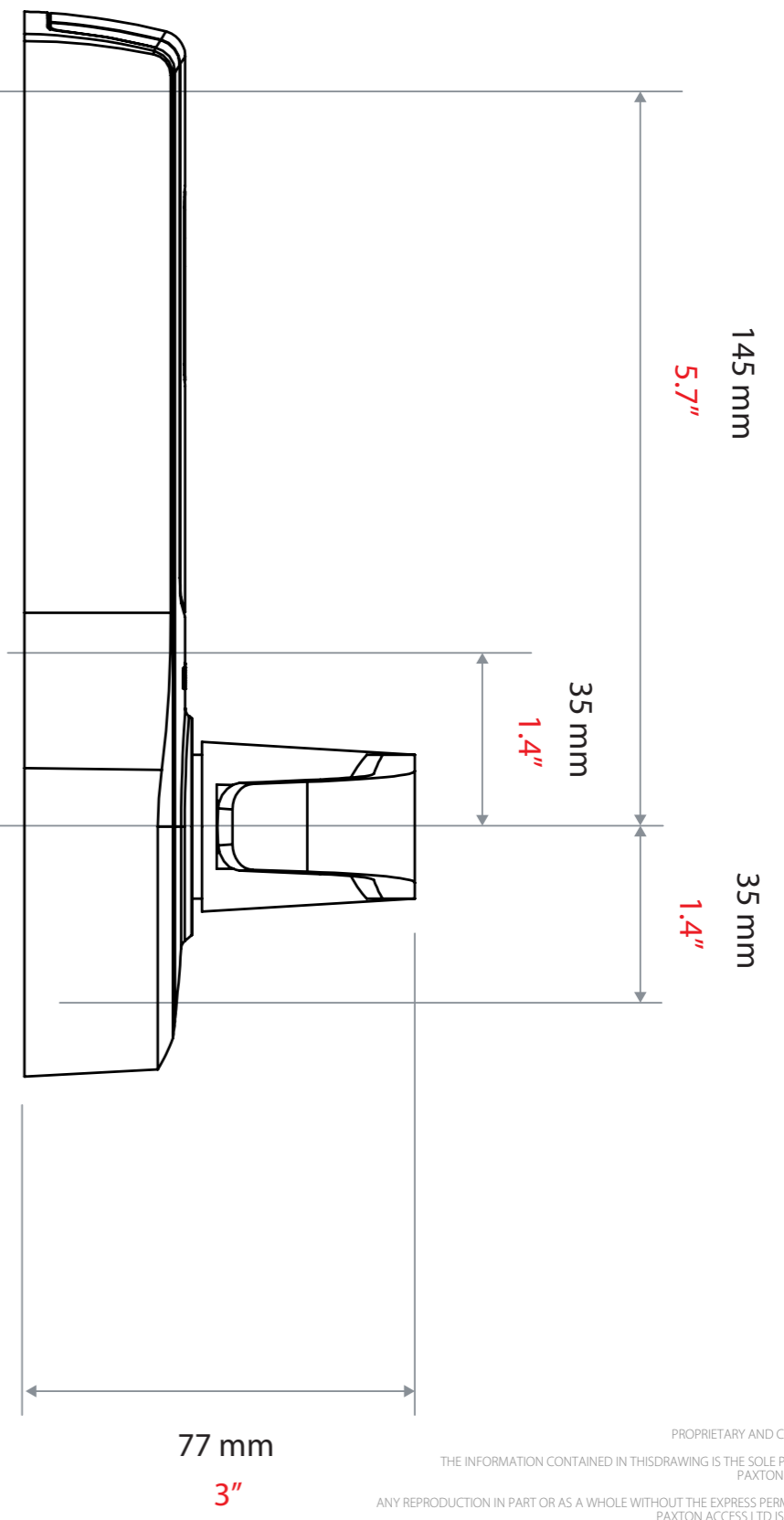
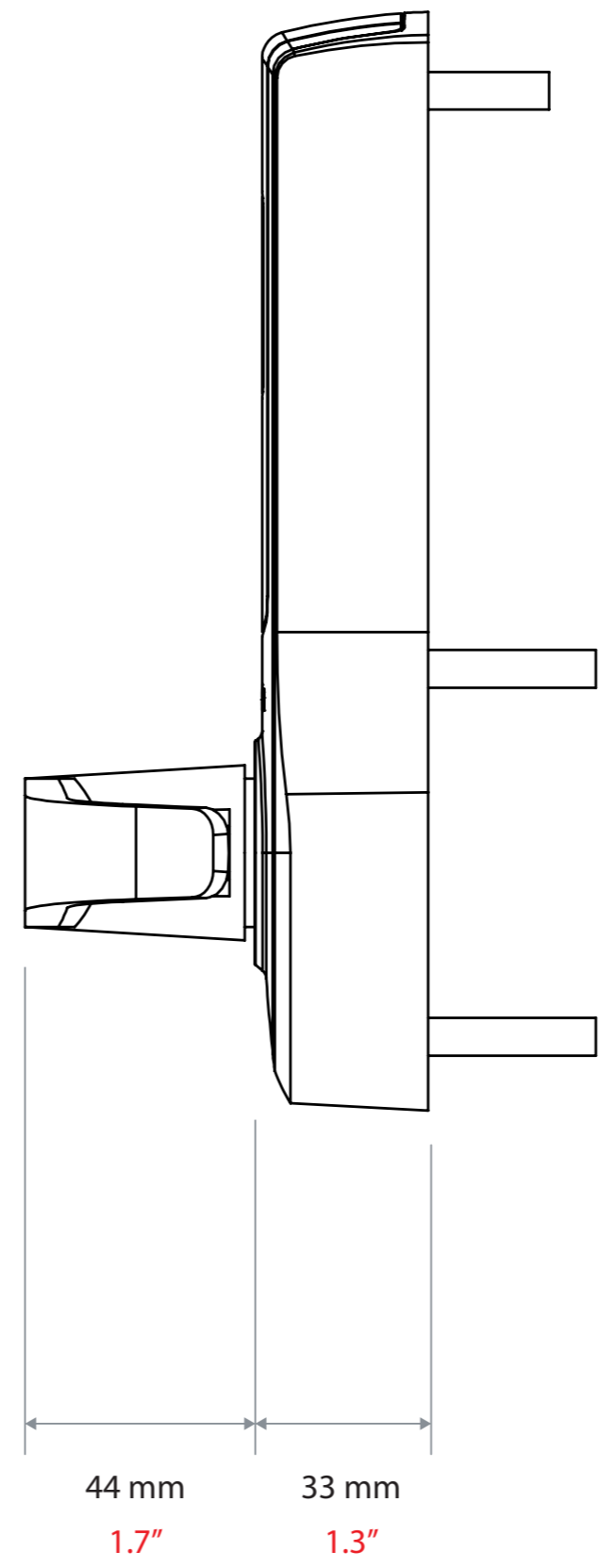
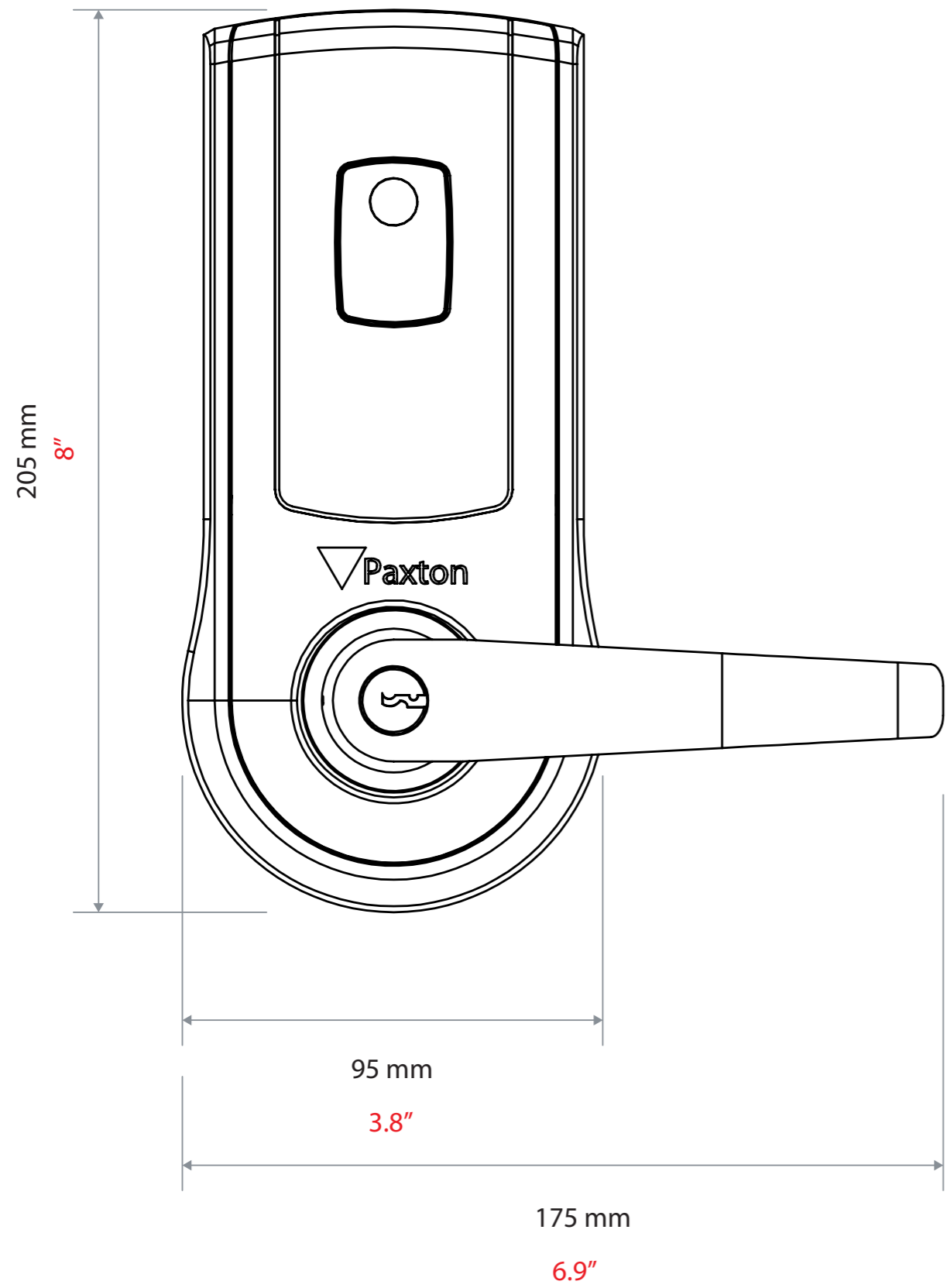


1	2	3	4	5	6	7	8	9	10	11	12
REV.	DESCRIPTION		DATE								



PROPRIETARY AND CONFIDENTIAL  
 THE INFORMATION CONTAINED IN THIS DRAWING IS THE SOLE PROPERTY OF  
 PAXTON ACCESS LTD.  
 ANY REPRODUCTION IN PART OR AS A WHOLE WITHOUT THE EXPRESS PERMISSION OF  
 PAXTON ACCESS LTD IS PROHIBITED.  
 ©2014

Please note: Check the correct scale of print-outs as your printer may cause inaccuracies

		DWG NO:	Issue A
Paxton House Home Farm Road, Brighton, United Kingdom BN1 9HU +44 1273 811011	MATERIAL SPECIFICATION:  DEFINED BY PAXTON ACCESS MATERIAL SPECIFICATION DOCUMENT	TITLE: PROXIMITY KP50 KP75 keypad scale drawing	
mm inches	UNLESS OTHERWISE SPECIFIED: X = ± 0.500000 X.X = ± 0.200000 X.XX = ± 0.100000 ANGULAR TOL ±1°	DRAWN: M.Lilley	A3
		SCALE: 1.5:1	SHEET 1 OF 1