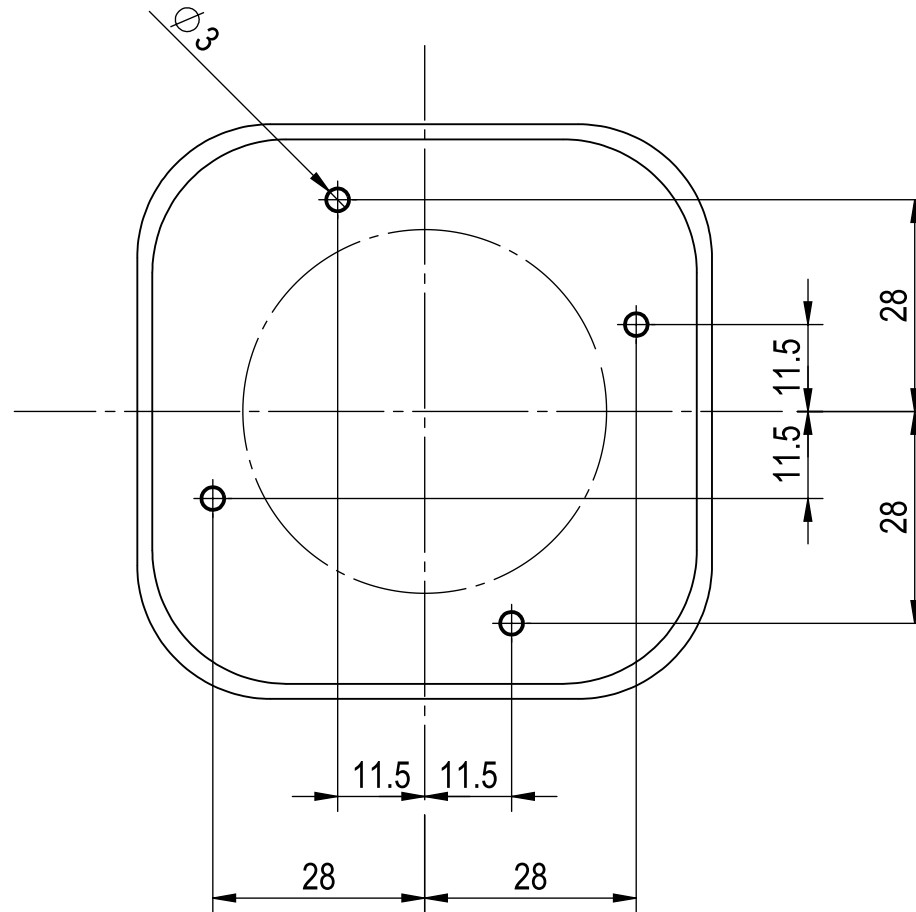


PROXIMITY metal HID™ reader drilling template

Note:
3mm Holes x 4




2

PROPRIETARY AND CONFIDENTIAL
THE INFORMATION CONTAINED IN THIS DRAWING IS THE SOLE PROPERTY OF PAXTON ACCESS LTD.
ANY REPRODUCTION IN PART OR AS A WHOLE WITHOUT THE EXPRESS PERMISSION OF PAXTON ACCESS LTD IS PROHIBITED.

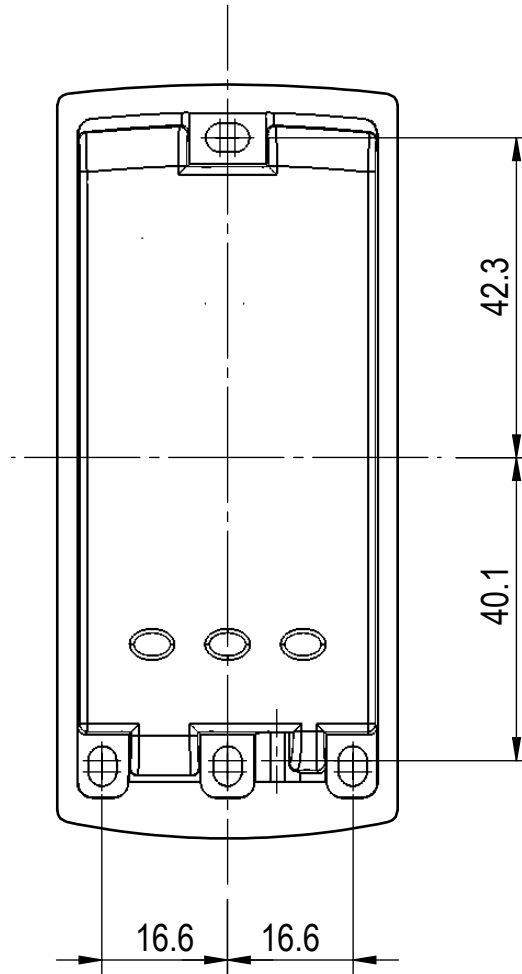
©2011

Check the correct scale of print outs as your printer may cause inaccuracies

 <p>Paxton House, Home Farm Road, Brighton, United Kingdom BN1 9RL +44 1273 811011</p>	DWG NO:	Issue A
	<p>MATERIAL SPECIFICATION:</p> <p>DEFINED BY PAXTON ACCESS MATERIAL SPECIFICATION DOCUMENT</p>	
<p>ALL DIMENSIONS IN (MM) DO NOT SCALE DRAWING DEBUR AND BREAK SHARP EDGES IF IN DOUBT ASK</p>	<p>UNLESS OTHERWISE SPECIFIED:</p> <p>X = ± 0.500000 X.X = ± 0.200000 X.XX = ± 0.100000 ANGULAR TOL: ±1°</p>	<p>TITLE:</p> <p>PROXIMITY metal reader HID drilling template</p> <p>DRAWN: PAXTON</p> <p>SCALE: 1:1</p>
		<p>A4</p> <p>SHEET 1 OF 3</p>

PROXIMITY mullion HID™ reader drilling template


Note:
4mm Holes x 4



PROPRIETARY AND CONFIDENTIAL
THE INFORMATION CONTAINED IN THIS DRAWING IS THE SOLE PROPERTY OF PAXTON ACCESS LTD.
ANY REPRODUCTION IN PART OR AS A WHOLE WITHOUT THE EXPRESS PERMISSION OF PAXTON ACCESS LTD IS PROHIBITED.

©2011

Check the correct scale of print outs as your printer may cause inaccuracies

		DWG NO:	Issue A
Paxton House, Home Farm Road, Brighton, United Kingdom BN1 9RL +44 1273 811011	MATERIAL SPECIFICATION: DEFINED BY PAXTON ACCESS MATERIAL SPECIFICATION DOCUMENT	TITLE: PROXIMITY mullion reader HID drilling template	
ALL DIMENSIONS IN (MM) DO NOT SCALE DRAWING DEBUR AND BREAK SHARP EDGES IF IN DOUBT ASK	UNLESS OTHERWISE SPECIFIED: X = ± 0.500000 X.X = ± 0.200000 X.XX = ± 0.100000 ANGULAR TOL: ±1°	DRAWN: PAXTON	A4
		SCALE: 1:1	SHEET 3 OF 3