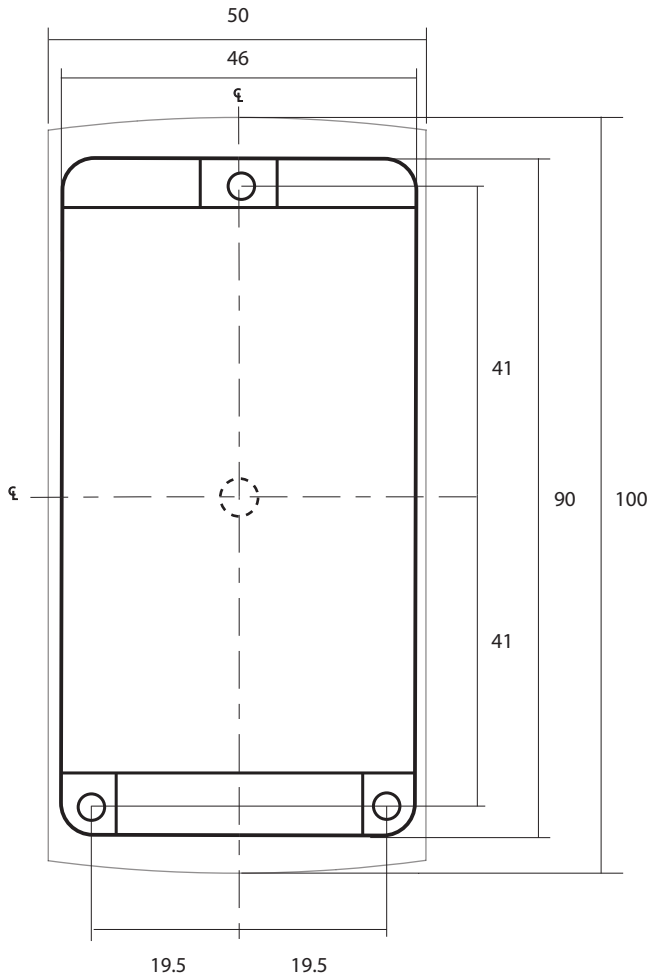
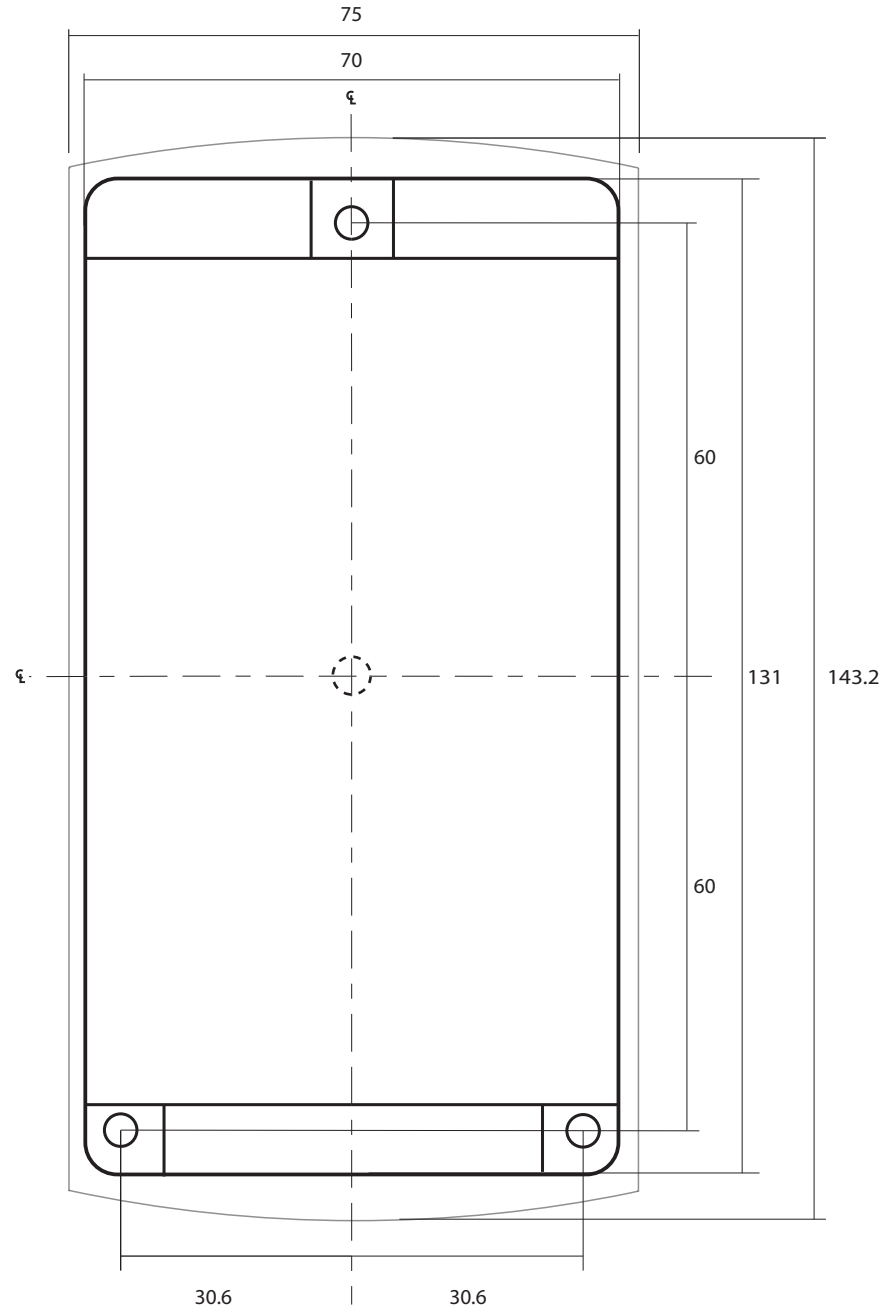
	Part Name: PROXIMITY KP50, KP75 keypad drilling template		
	Scale: 1:1	Unit: mm	Date: 02/09/08
	Drawn: E.Hume		

Please note: Check the correct scale of print outs as your printer may cause inaccuracies



3.5 mm Holes x 3
4mm cable
KP50 Keypad



4.3mm Holes x 3
4mm cable
KP75 Keypad