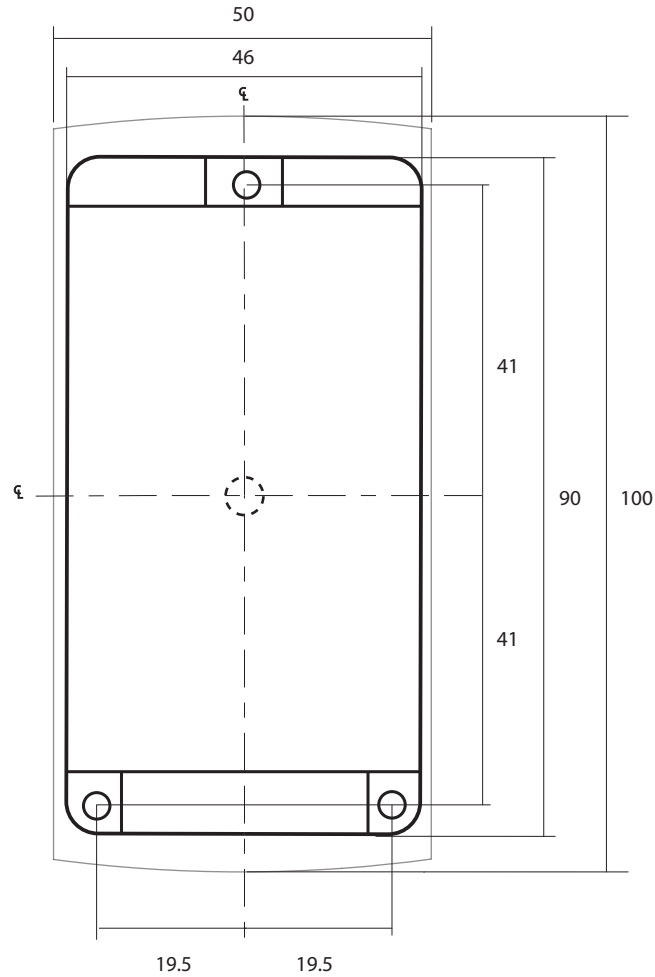
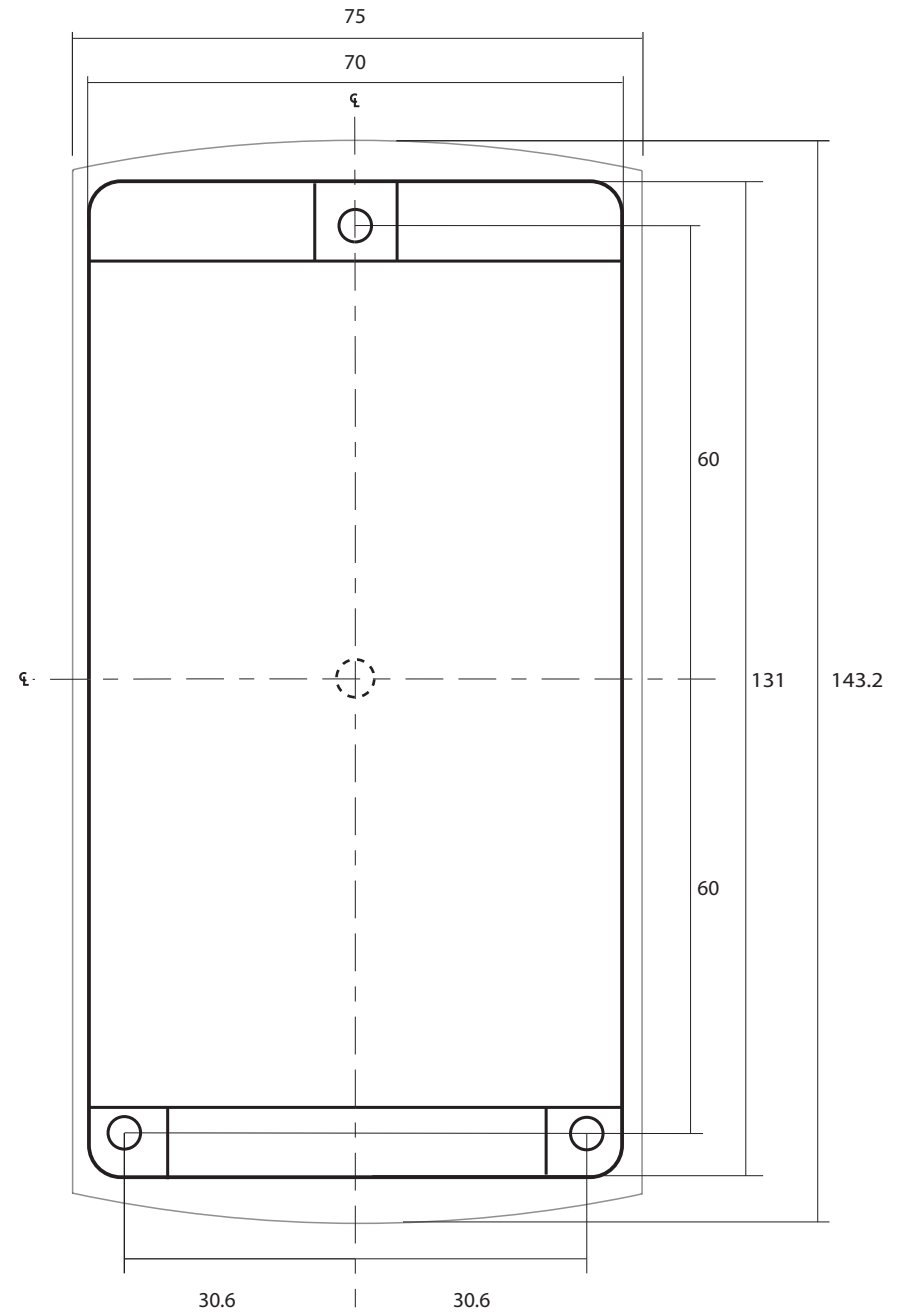


Please note: Check the correct scale of print outs as your printer may cause inaccuracies



3.5 mm Holes x 3  
4mm cable  
KP50 Keypad



4.3mm Holes x 3  
4mm cable  
KP75 Keypad