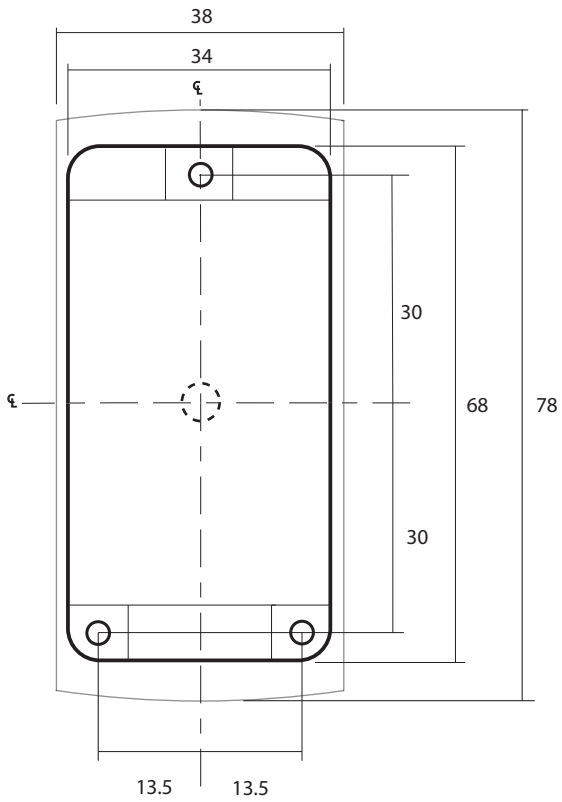
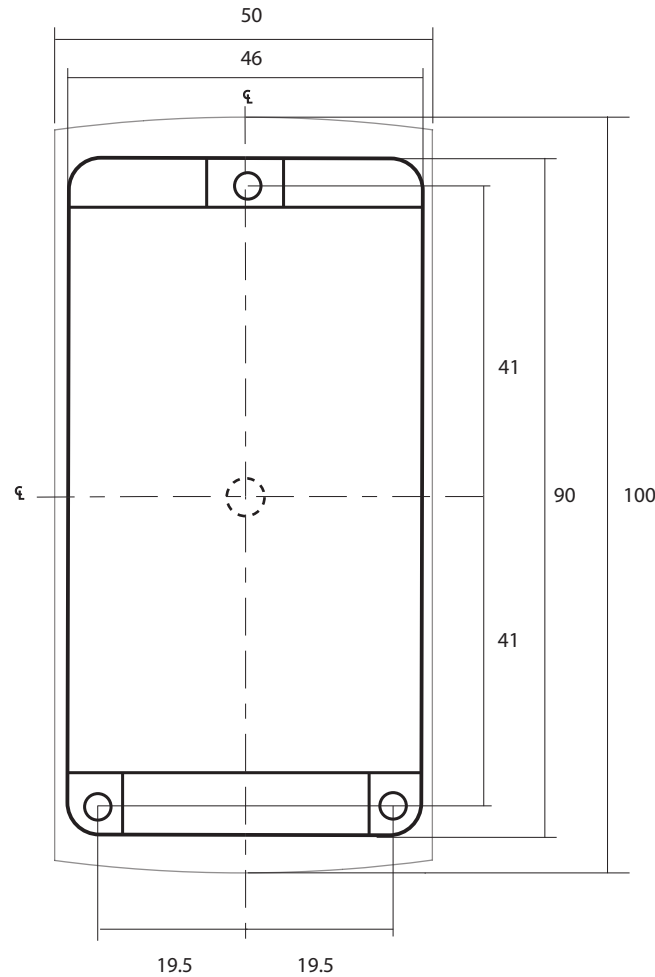


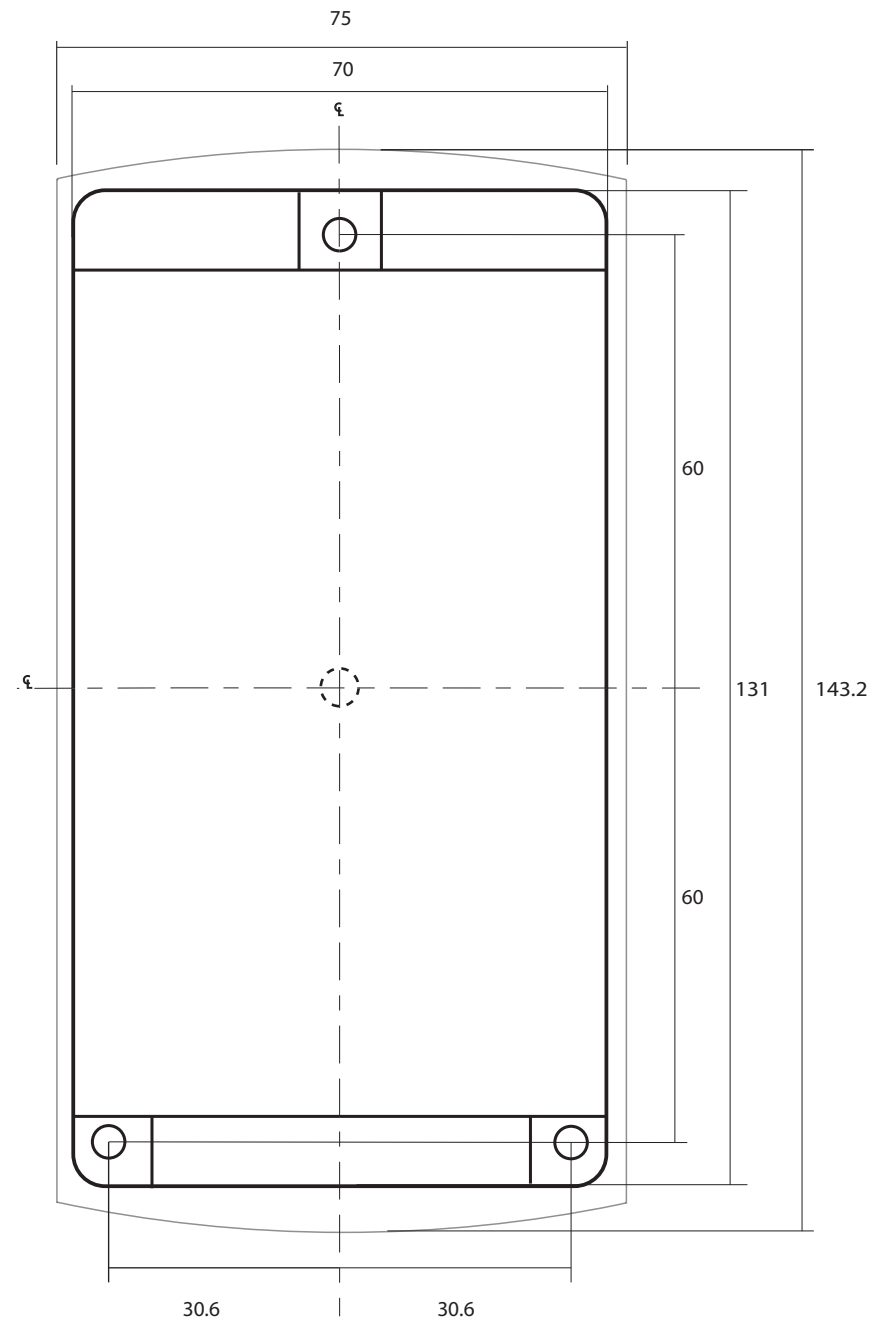
Please note: Check the correct scale of print outs as your printer may cause inaccuracies



3mm Holes x 3
4mm cable
P38 Readers



3.5 mm Holes x 3
4mm cable
P50 Readers



4.3mm Holes x 3
4mm cable
P75 Readers