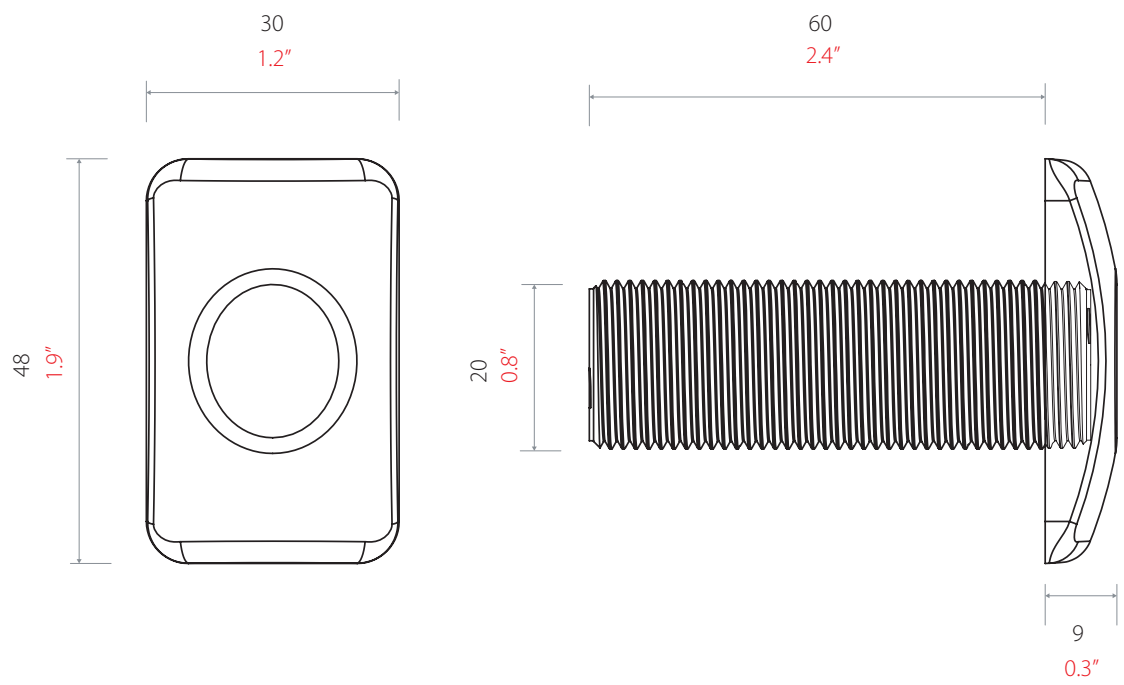


1	2	3	4	5	6	7	8	9	10	11	12
REV.	DESCRIPTION		DATE								



PROPRIETARY AND CONFIDENTIAL
 THE INFORMATION CONTAINED IN THIS DRAWING IS THE SOLE PROPERTY OF
 PAXTON ACCESS LTD.
 ANY REPRODUCTION IN PART OR AS A WHOLE WITHOUT THE EXPRESS PERMISSION OF
 PAXTON ACCESS LTD IS PROHIBITED.

©2014

Please note: Check the correct scale of print-outs as your printer may cause inaccuracies

<p>Paxton House, Home Farm Road, Brighton, United Kingdom BN1 9RJ +44 1273 811011</p>	DWG NO:	Issue A	
	<p>MATERIAL SPECIFICATION:</p> <p>DEFINED BY PAXTON ACCESS MATERIAL SPECIFICATION DOCUMENT</p>	<p>TITLE: PROXIMITY vandal proof reader scale drawing</p>	
<p>mm inches</p>	<p>UNLESS OTHERWISE SPECIFIED:</p> <p>X = ± 0.500000 X.X = ± 0.200000 X.XX = ± 0.100000 ANGULAR TOL: ±1°</p>	<p>DRAWN: M.Lilley</p>	A4
SCALE: 1:1		SHEET 1 OF 1	