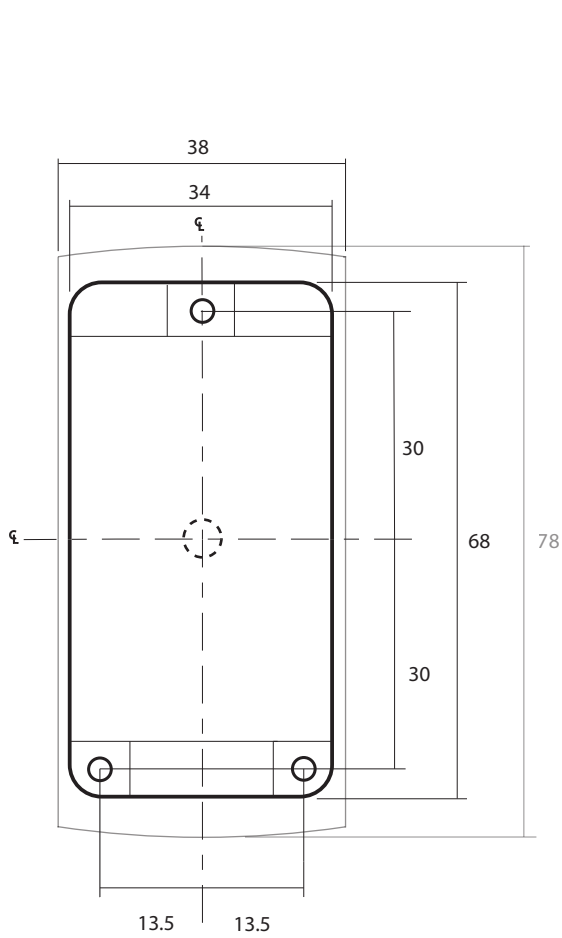
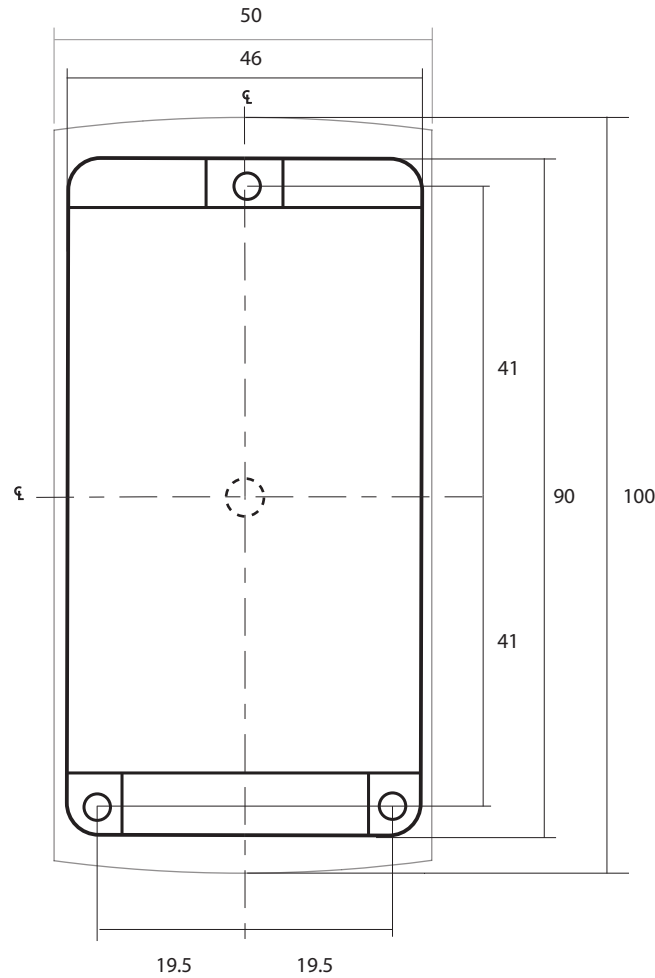
	Part Name: TOUCHLOCK K38, K50, K75 keypad drilling template		
	Scale: 1:1	Unit: mm	Date: 02/09/08
	Drawn: E.Hume		

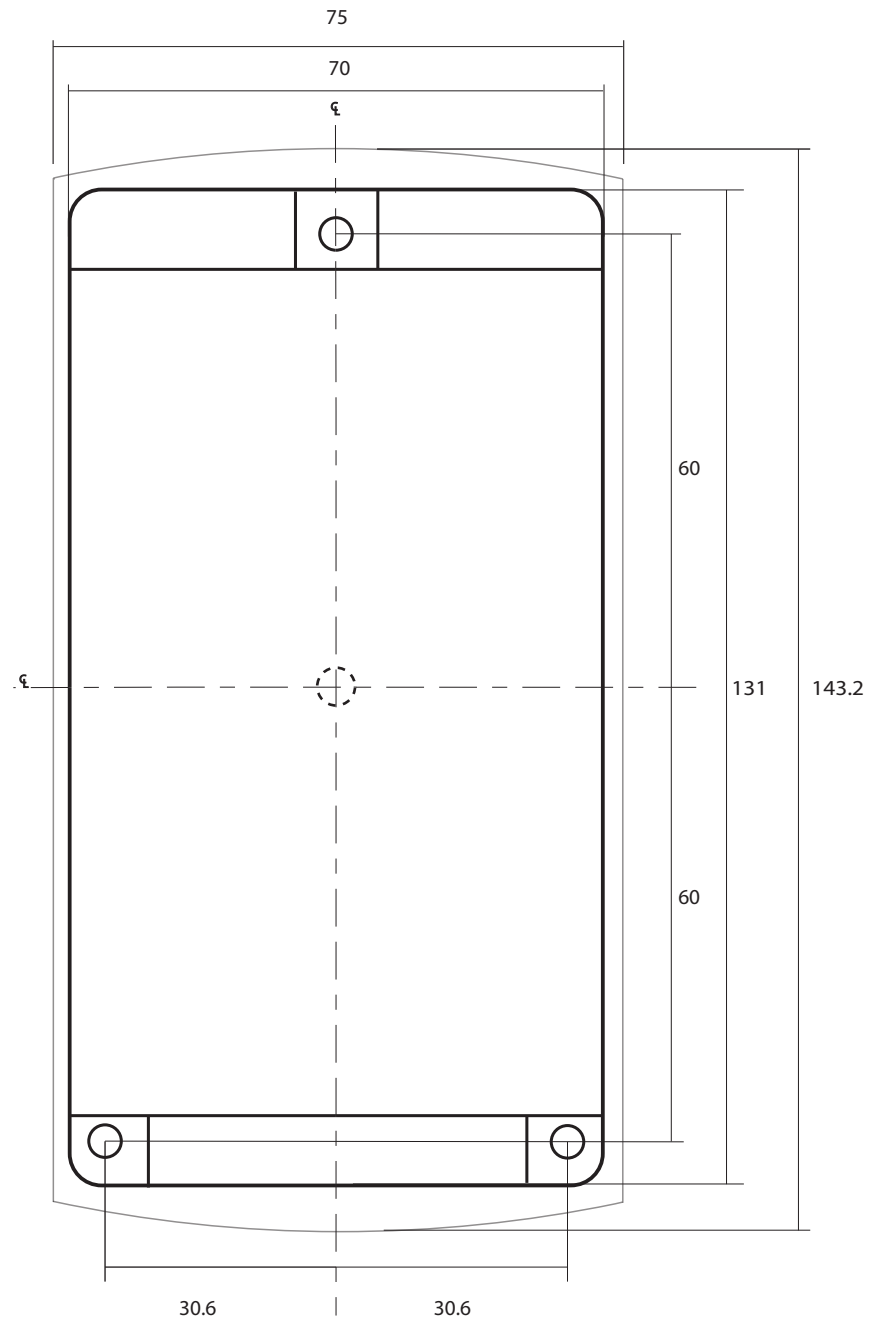
Please note: Check the correct scale of print outs as your printer may cause inaccuracies



3mm Holes x 3
4mm cable
K38 Keypad



3.5 mm Holes x 3
4mm cable
K50 Keypad



4.3mm Holes x 3
4mm cable
P75 Readers