

For technical help please contact your distributor

A list of distributors can be found on our website at - <http://paxton.info/508>

Documentation on all Paxton products can be found on our website - <http://www.paxton.co.uk/>

 [support@paxton.co.uk](mailto:support@paxton.co.uk)

### Suitability

Wet environments



Security-sensitive doors



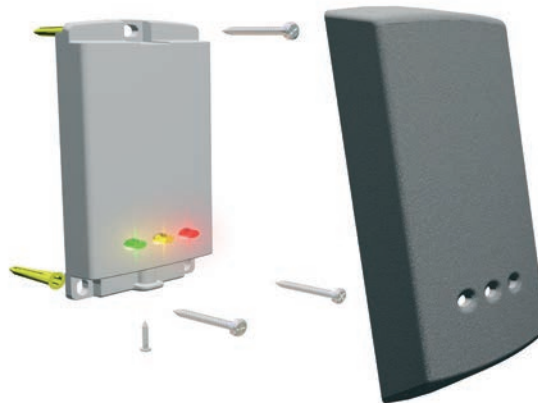
Mounted on metal surface



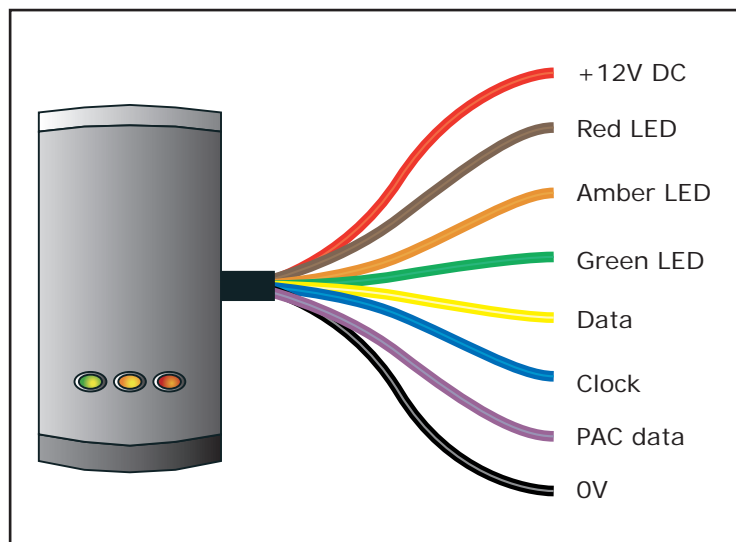
Readers mounted together

**300 mm**  
between readers

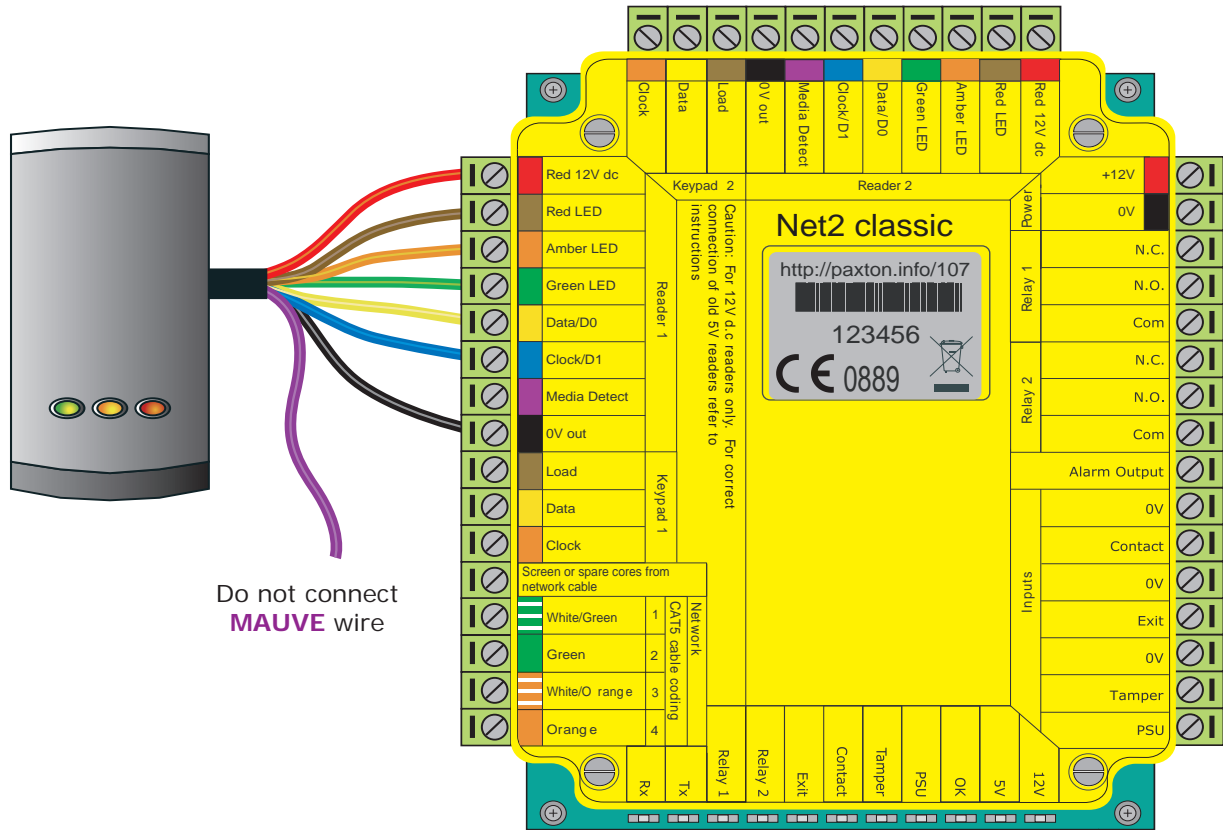
### Fitting



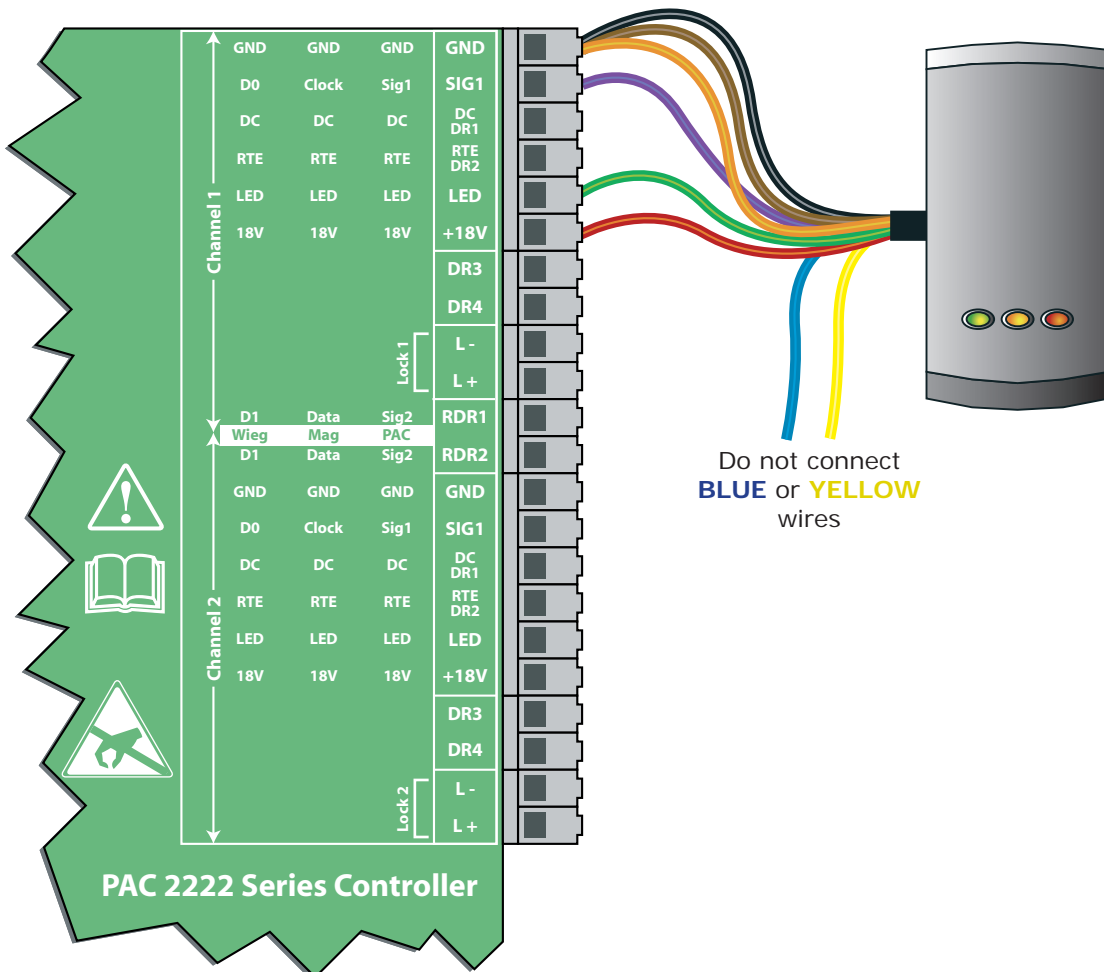
### Wiring



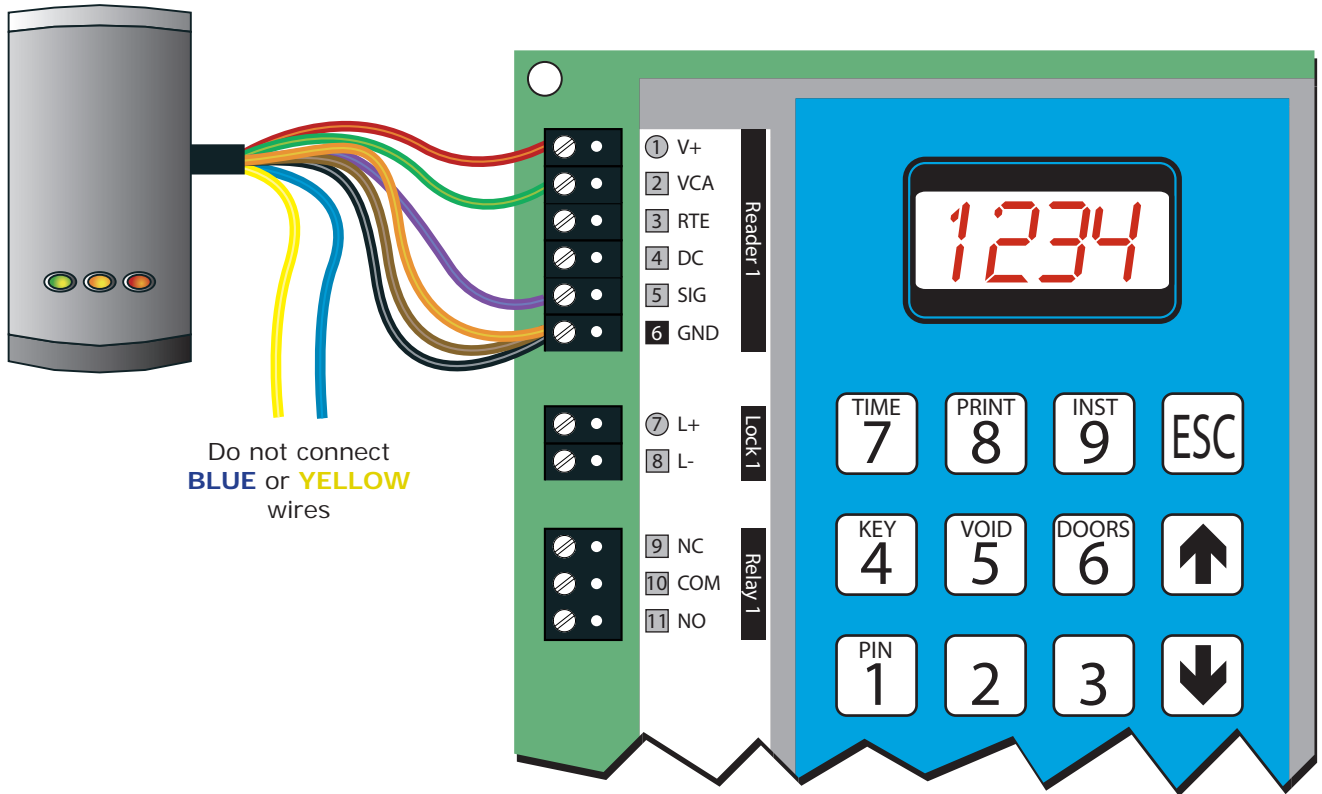
## Paxton Net2 control unit



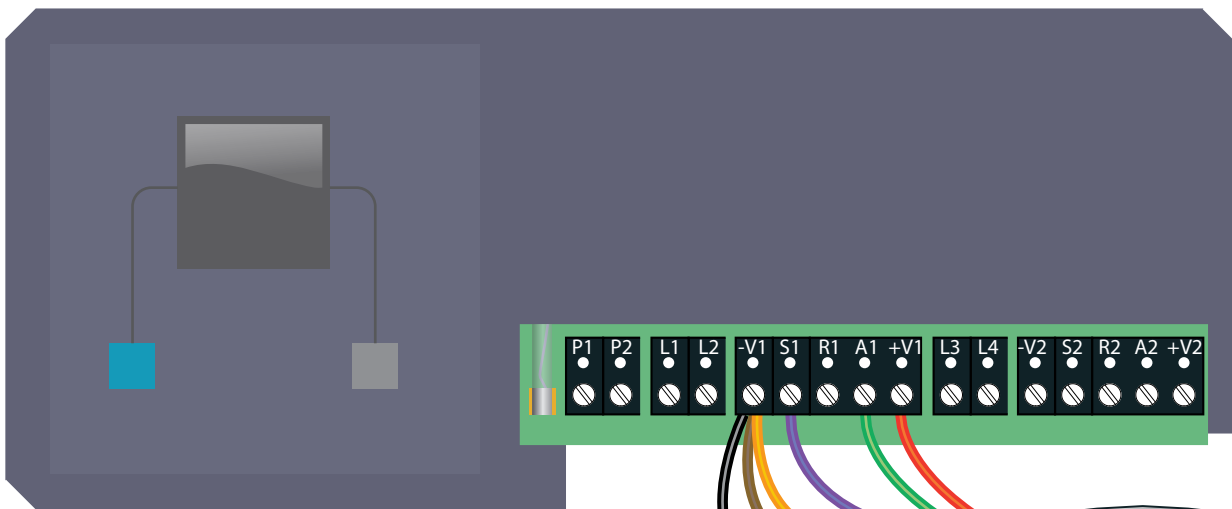
## PAC 2222 Series Controller



## Easikey 1000



## Easikey 99



### Compatible with the following tokens

Compatible with the following tokens	
	PACNET
	PAC
	Impro/any EM4100
	PAC PROX card
	Minifob*
	PROXIMITY card*
	PROXIMITY ISO card*
	WatchProx*

\* If a Paxton proximity token is presented to a Universal reader being used with Net2, the number sent from the reader will be different to the number shown on the barcode label.

## Specifications

	Min	Max	
<b>Environment</b>			
Operating temperature	-20 °C	+55 °C	
Cable length			5 metres
IP Rating	IPX7		Outdoor Use
<b>Electrical</b>			
Voltage	10V DC	14V DC	
Current	50 mA	120 mA	
Carrier frequency	125 kHz	153 kHz	
Clock and data bit period			600 µs
<b>Dimensions</b>			
	<b>Width</b>	<b>Height</b>	<b>Depth</b>
Reader	38mm	78mm	13mm

### Cable extensions

Readers can be extended using Belden CR9540 10-core overall screened cable to a maximum of 100 metres.

### Reader covers

Additional covers are available in black, white, grey, blue and silver. Registered installers can order these free of charge by logging onto the secure installer extranet: <http://paxton.info/1035>. If you are not a registered installer please call us on: 01273 811011 for more information.

# CE0168

**DE** Paxton Access Ltd erklärt, daß diese Anlage den grundlegenden Anforderungen und anderen relevanten Bestimmungen der Richtlinie 1999/5/EC entspricht. Die Anlage ist zur Verwendung in allen EG- und EFTA-Mitgliedsstaaten bestimmt.

**DK** Paxton Access Ltd erklærer, at dette udstyr er i overensstemmelse med vigtige krav og andre relevante bestemmelser i Direktiv 1999/5/EC. Udstyret er beregnet til brug i alle EU- og EFTA-medlemslande.

**EN** Paxton Access Ltd hereby declares that this product is in conformity with all the essential requirements of the Directive 1999/5/EC. This equipment is intended for use in all the EU and EFTA countries and all other countries worldwide.

**ES** Paxton Access Ltd declara que este equipo cumple con los requisitos esenciales y otras disposiciones pertinentes de la Directiva 1999/5/EC. El equipo está destinado para su uso en toda la UE y estados miembros de EFTA.

**FI** Paxton Access Ltd takaa, että tämä laite on 1999/5/EC-direktiivin olennaisten vaatimusten ja muiden lausekkeiden mukainen. Laite on tarkoitettu käytettäväksi kaikissa EU ja EFTA-jäsenmaissa.

**FR** Paxton Access Ltd déclare que cet équipement répond aux exigences essentielles et autres dispositions pertinentes de la directive 1999/5/EC. Cet équipement est prévu pour l'utilisation dans tous les états membres de l'UE et de l'AELE.

**GR** Η Paxton Access Ltd προβαίνει στην ανακοίνωση ότι αυτά τα μηχανήματα έχουν τις βασικές απαιτούμενες προδιαγραφές και υπόκεινται στις υπόλοιπες σχετικές διατάξεις της Οδηγίας 1999/5/EC. Προορίζονται δε για χρήση σε όλες τις χώρες - μέρη της ΕΕ και της ΕFTA (Ευρωπαϊκής Ένωσης Προώθησης Εμπορικών Συναλλαγών).

**IC** Paxton Access Ltd lýsir hér með yfir að þetta tæki uppfyllir grunnkröfur og tengd ákvæði ESB tilskipunar nr. 1999/5/EC. Tækið er ætlað til notkunar á Evrópska efnahagssvæðinu og í EFTA löndunum.

**IT** La Paxton Access Ltd certifica che la presente apparecchiatura è conforme ai requisiti di legge stabiliti nella direttiva 1999/5/EC. Il suo utilizzo dovrà avvenire in tutti i Paesi membri UE ed EFTA.

**NL** Paxton Access Ltd verklaart, dat deze uitrusting in overeenstemming is met de essentiële vereisten en andere relevante bepalingen van Richtlijn 1999/5/EC. De uitrusting is bedoeld voor gebruik in alle EU en EFTA lidstaten.

**NO** Paxton Access Ltd erklærer herved at dette utstyret oppfyller de vesentligste krav og relevante bestemmelser i direktiv 1999/5/EF om radio- og teleterminalutstyr. Ustyret er beregnet på bruk i alle medlemsland i EU og EFTA.

**PT** A Paxton Access Ltd declara que este equipamento está de acordo com os requisitos básicos e outras provisões relevantes da Directiva 1999/5/EC. Este equipamento destina-se ao uso em todos os estados-membros da União Europeia e da EFTA.

**SE:** Paxton Access Ltd förklarar att denna utrustning överensstämmer med de väsentliga krav och regler som finns i direktivet 1999/5/EG. Utrustningen är avsedd att användas i alla medlemsstater i EU och EFTA.

**Notices of Conformity:** <http://www.paxton-access.co.uk/conf/prodconf.html>