

What is hands free?

The system comprises of a hands free interface, a compatible reader (see specification table) and hands free keycards or keyfobs. The system operates by using the field being transmitted by the P series reader to wake up the token. This then communicates with the interface which contains a long range receiver.

The keycard increases this effective read range to typically 5 m (maximum 50 m). This is achieved by activating the system manually instead of using the reader field.

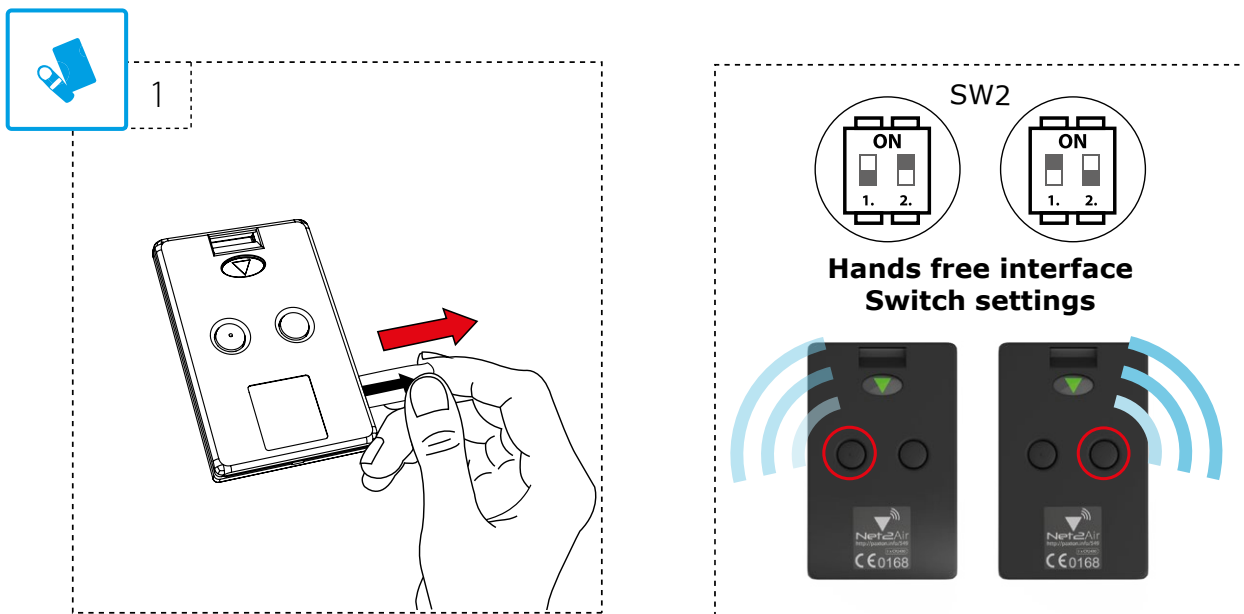
Keycards also include a standard proximity ID chip and can therefore be presented to any Paxton proximity reader whether they are using the hands free interface or not.

The keycard has been designed with features to maximise battery life. These include a two second timeout once access has been granted and the prevention of repeated access requests to the same door whilst the keyfob remains in range. However, heavy use or keeping the keyfob in the reader field can still reduce battery life to 12 months or less.

Interface Settings

To enable the buttons, the keycard must first be presented to the P series reader and then used in hands free mode. The keycard stores the details of this interface and can then activate the door using a button.

It can also be used in normal hands free mode and also in local passive mode with other standard readers.



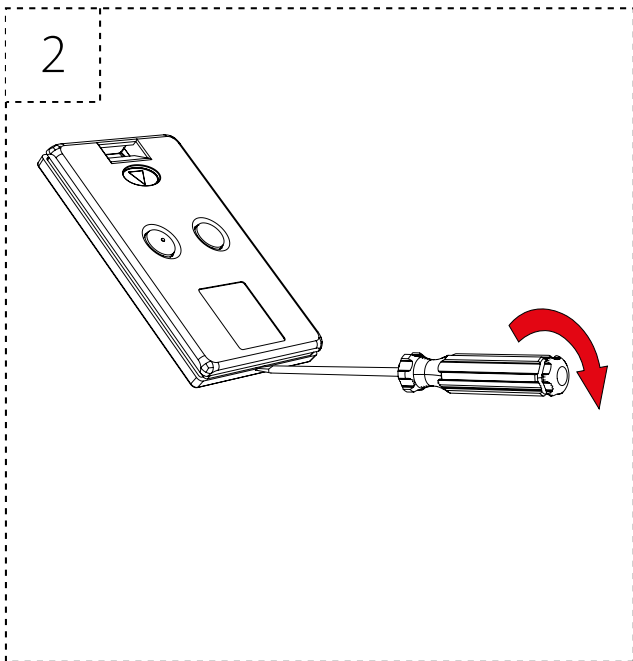
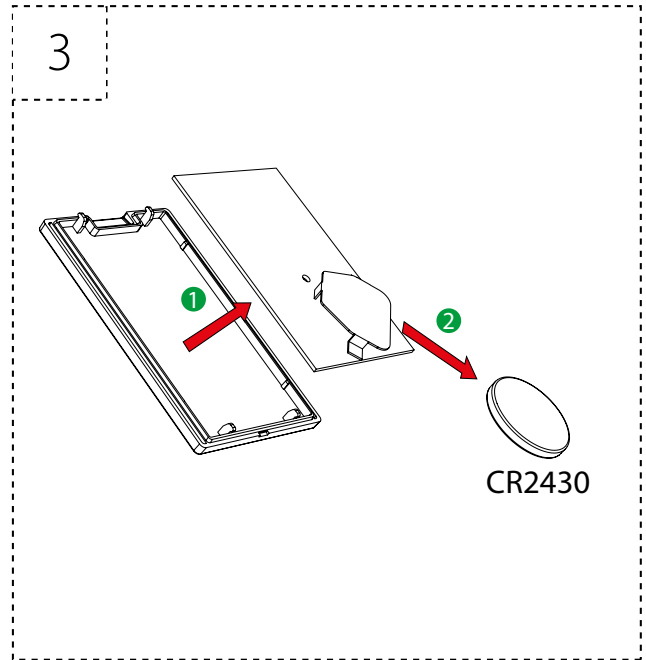
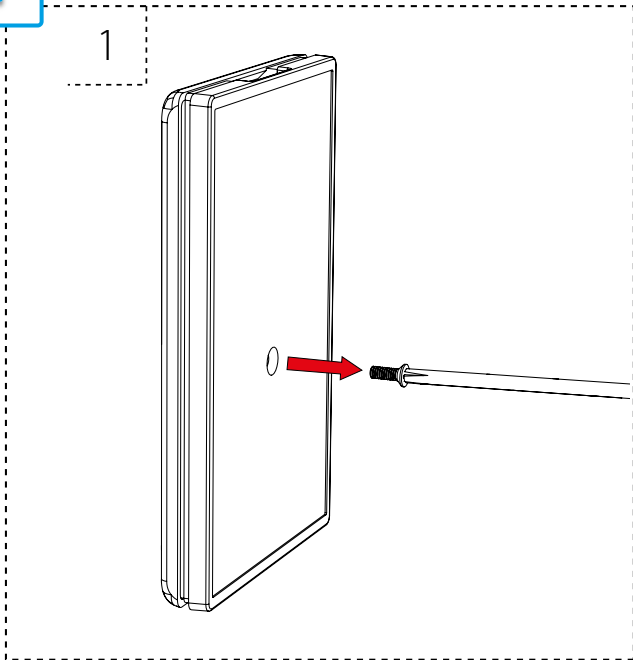
The hands free interface has a pair of switches labelled SW2. Select either switch 1 or 2 to set which button the interface will respond to.

Power cycle the interface to store this setting.

The keycard can store up to 60 doors, thirty for each button.

Battery replacement

Remove the small round label and the screw on the back of the card. Open the case by inserting a flat head screw driver in the slot at the bottom of the card and gently prising the case open. Remove the circuit board and replace the batteries. Replace the circuit board, casing cover, screw and label.



Specifications

Specifications			
		Min	Max
Dimensions			
Width	85 mm		
Height	54 mm		
Depth	9 mm		
System Specification			
Carrier frequency	125 kHz		
	2.4 GHz		
Environment			
Operating temperature		0 °C	55 °C
Electrical			
Typical Battery Life		3 years	
Battery Type	1 x CR2430		

Read range with hands free token			
With button - all readers			> 5 metres
P38			850 mm
P50			1100mm
P75			1500 mm
P200			2500 mm
P200E metal mount			2000 mm
Long range reader			5000 mm

Handsfree Cards and Fobs have been tested to give a realistic representation of read ranges users can expect to see when taking into consideration different environmental factors.

Results shown in meters only							
P Series readers	Handsfree Fob			Handsfree Card			Button Control: Handsfree Card
	On lanyard	In pocket	In pocket with GSM	On lanyard	In pocket	In pocket with GSM	
P38	0.20	0.10	0.00	0.40	0.30	0.00	20-25
P50	0.30	0.20	0.15	0.50	0.40	0.30	20-25
P75	0.50	0.30	0.30	0.80	0.50	0.40	20-25
P200	1.30	0.80	0.40	1.80	1.00	0.50	20-25
P200M	1.30	0.80	0.40	1.80	1.00	0.50	20-25
Long range reader	5.00	3.00	2.00	5.00	1.50	1.00	20-25



Paxton Access Ltd hereby declares that this product is in conformity with all the essential requirements of the Directive 2014/53/EU. <http://paxton.info/4867>

The full declaration of conformity is provided at: <http://paxton.info/3910>

Contact details are provided at: <http://paxton.info/596>



+44 (0)1273 811011
support@paxton.co.uk
paxton.support



877.438.7298
supportUS@paxton-access.com
usapaxton.support



+31 (0)76 3333 999
support@paxton-benelux.com
paxton.benelux.support



+32 (0) 78485147
support@paxton-benelux.com
paxton.benelux.support



+49 (0) 251 2080 6900
verkauf@paxton-gmbh.de
paxton.gmbh.support



+33 (0)1 57 32 93 56
support@paxtonaccess.fr
paxton.support



+27 (0) 21 4276691
support@paxtonaccess.co.za
paxton.support



8000 3570 3783
support@paxtonaccess.ae
paxton.support



+52 55 5351 3667
soporte@paxton-access.com
paxton.soporte



+57 1508 8198
soporte@paxton-access.com
paxton.soporte



+44 (0)1273 811011
support@paxton.co.uk
paxton.support



Made in the UK

