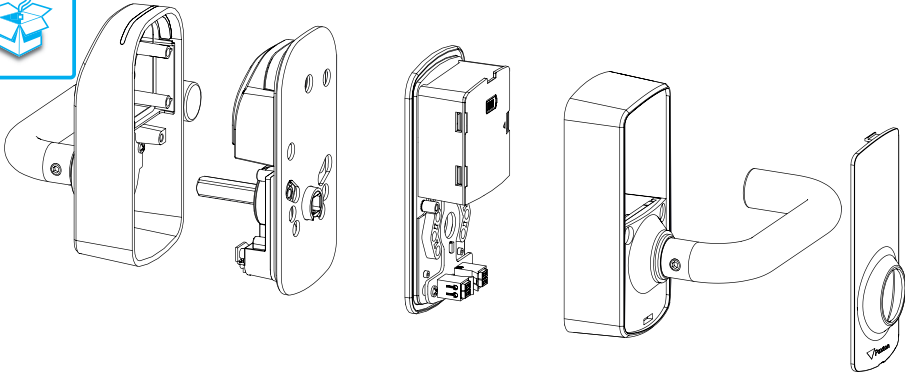




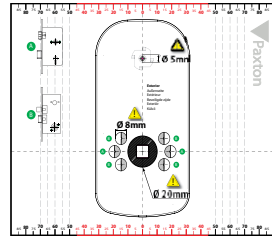
ins-30210



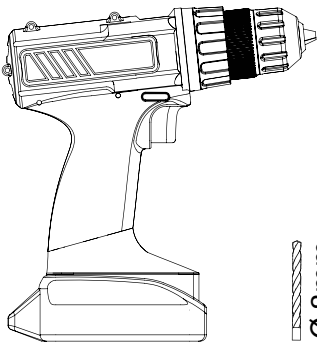


- 1x
- 2x
- 2x
- 1x
- 1x
- 1x
- 1x
- 1x

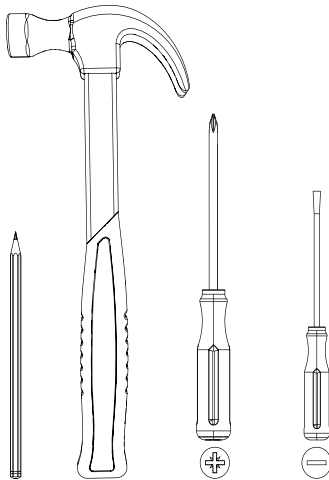
- 2x
- 2x
- 2x
- 4x

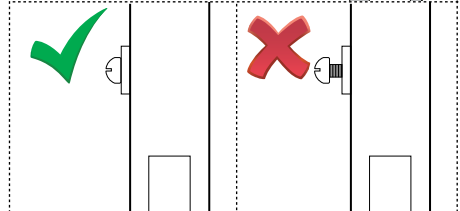
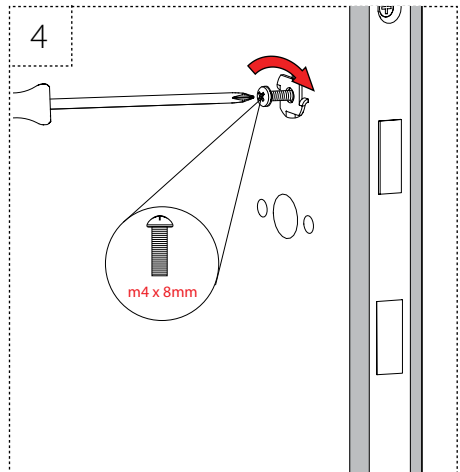
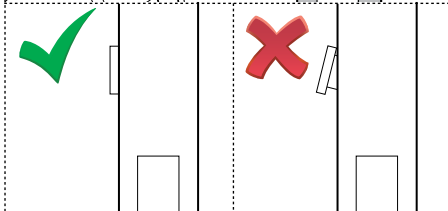
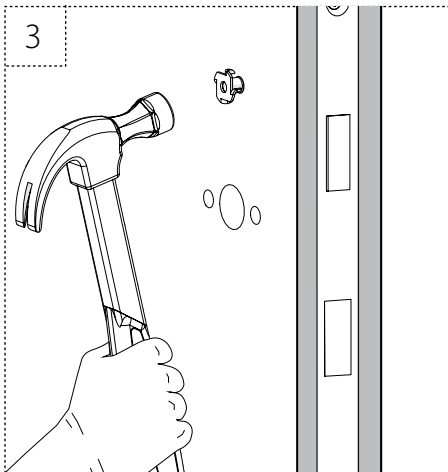
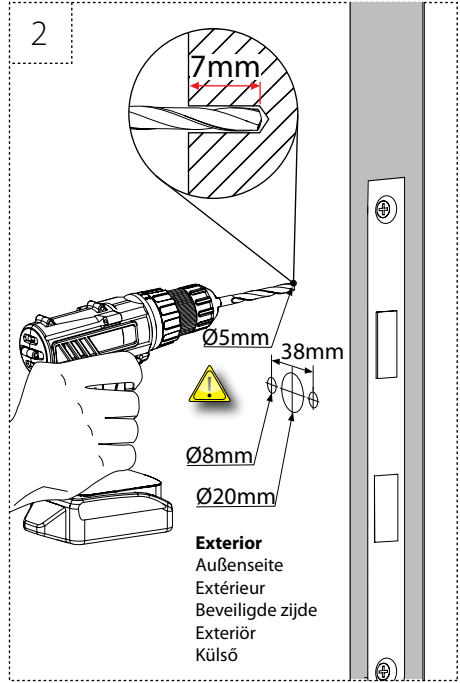
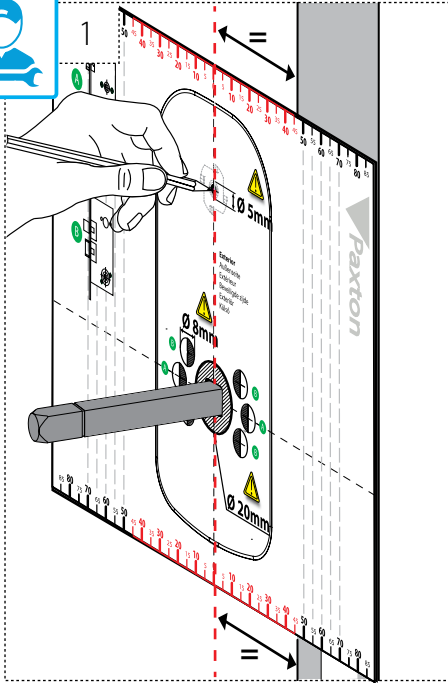


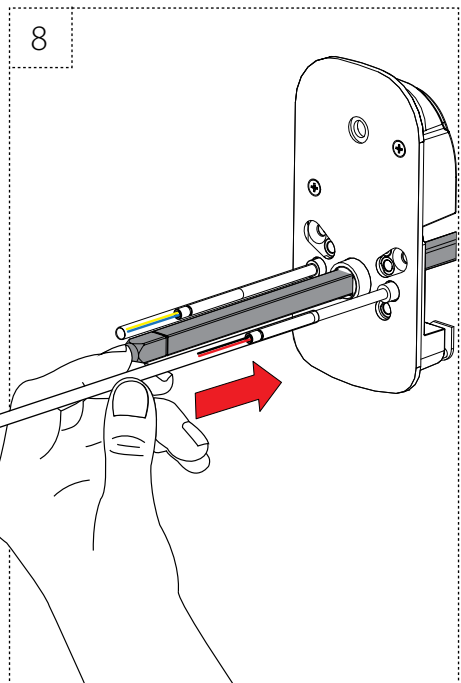
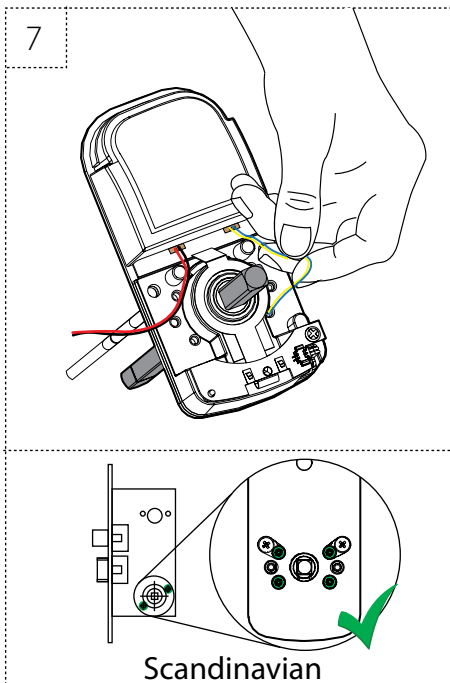
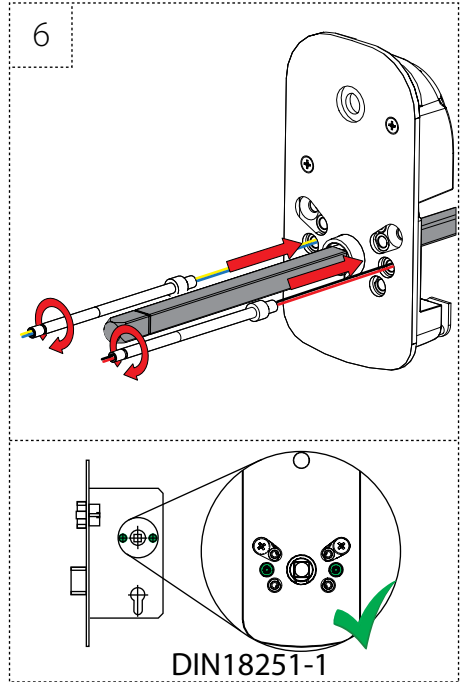
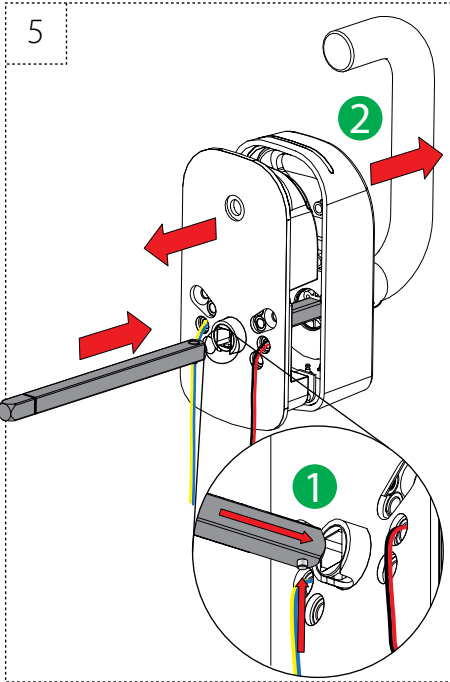
1x

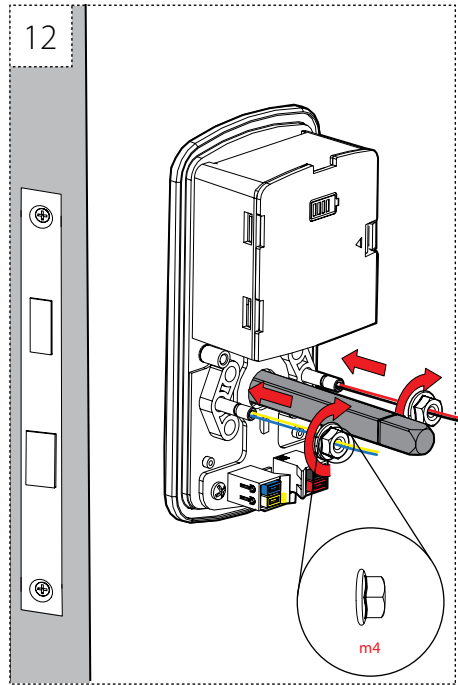
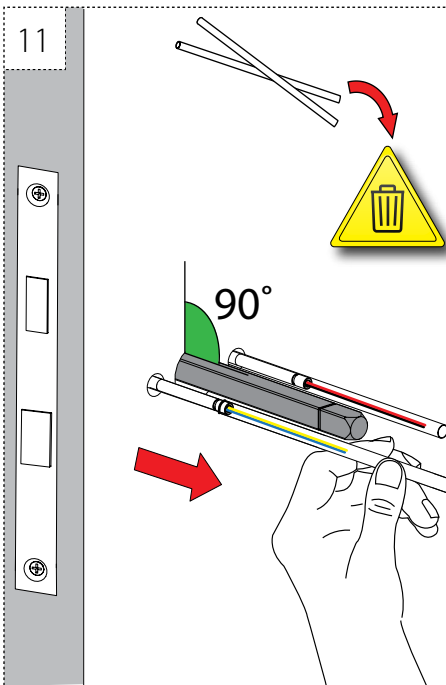
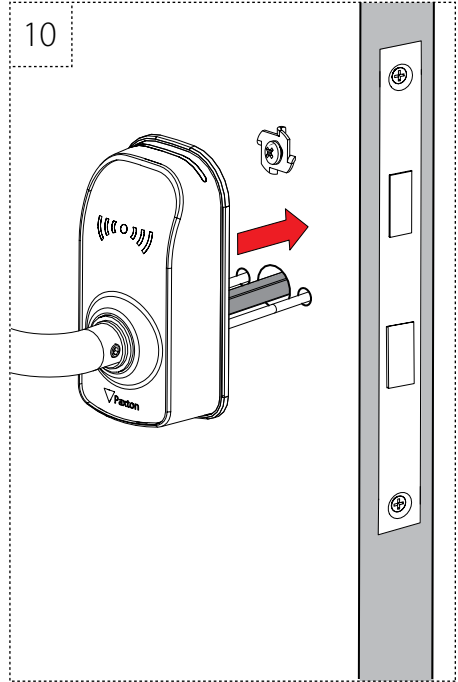
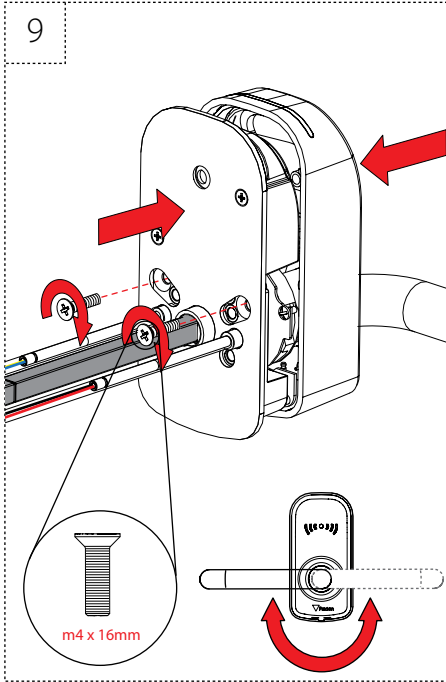


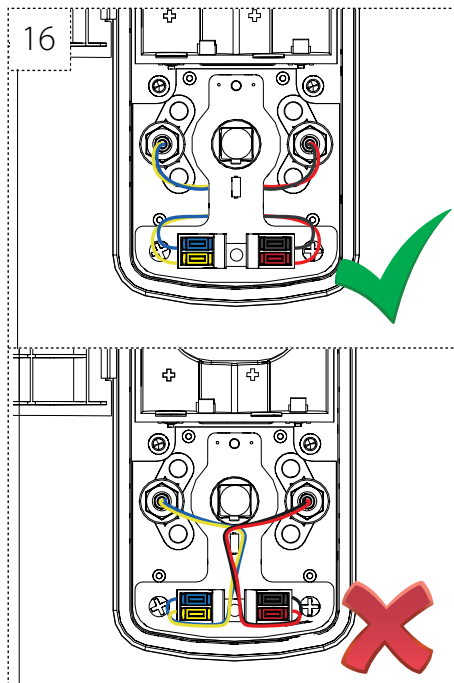
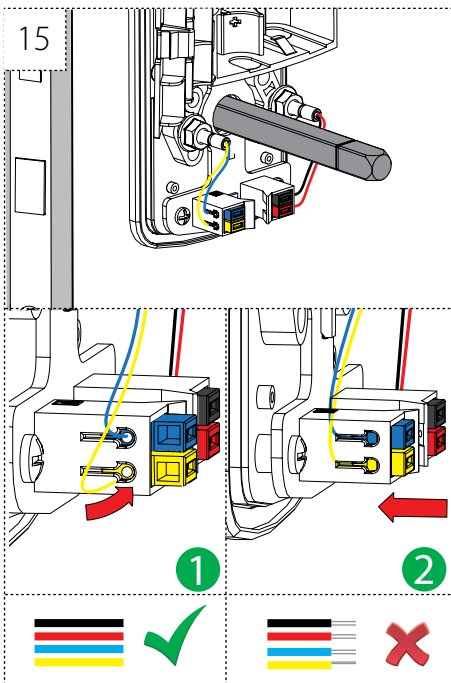
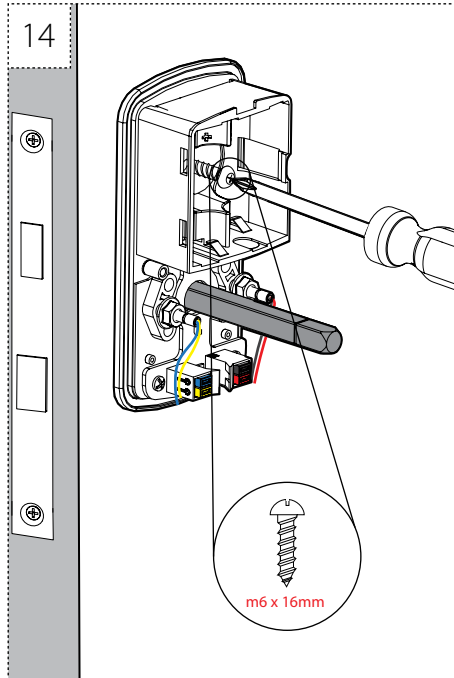
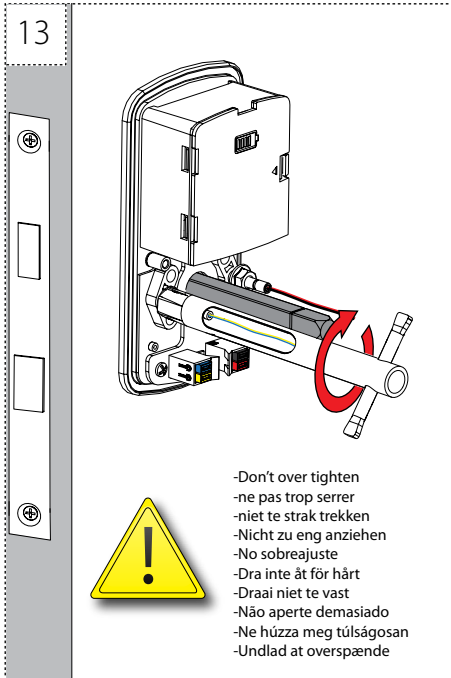
- Ø 8mm
- Ø 5mm



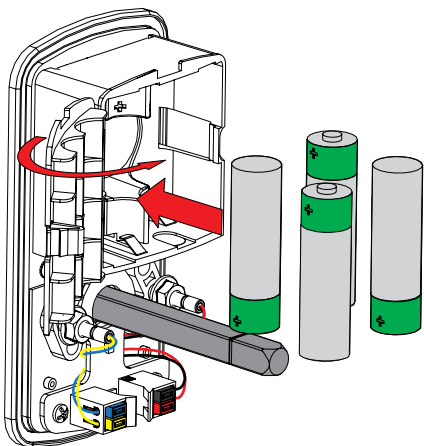




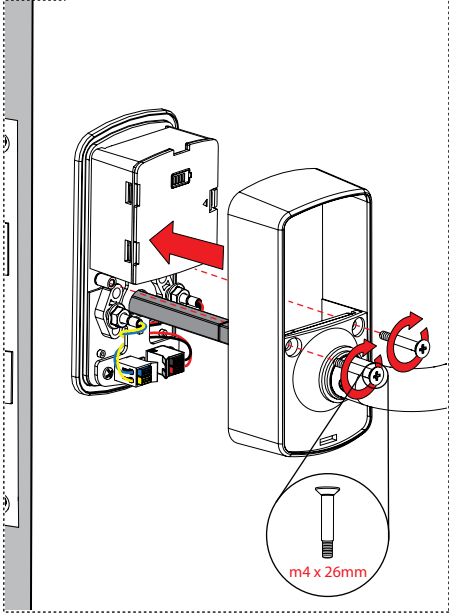




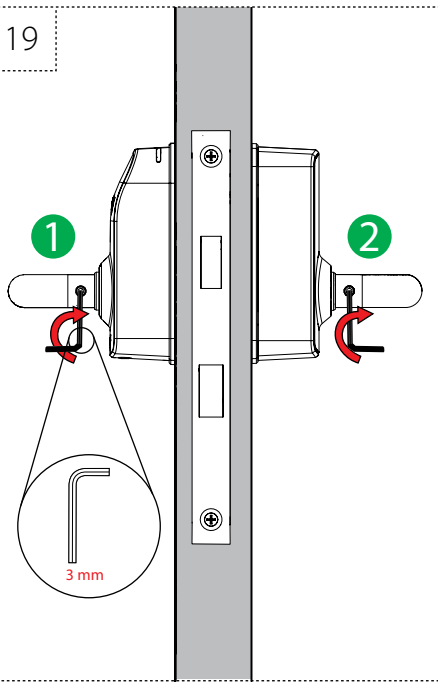
17



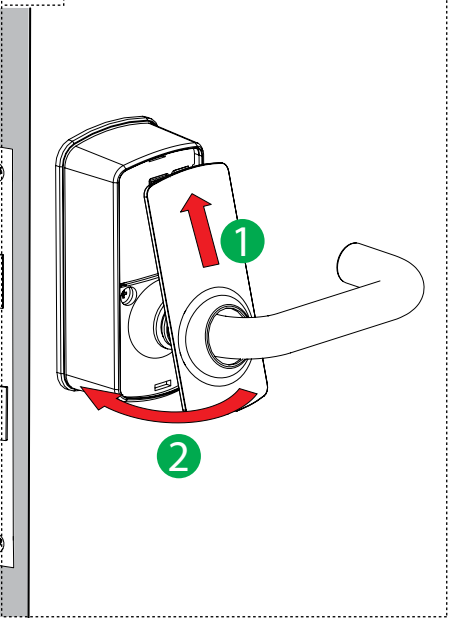
18

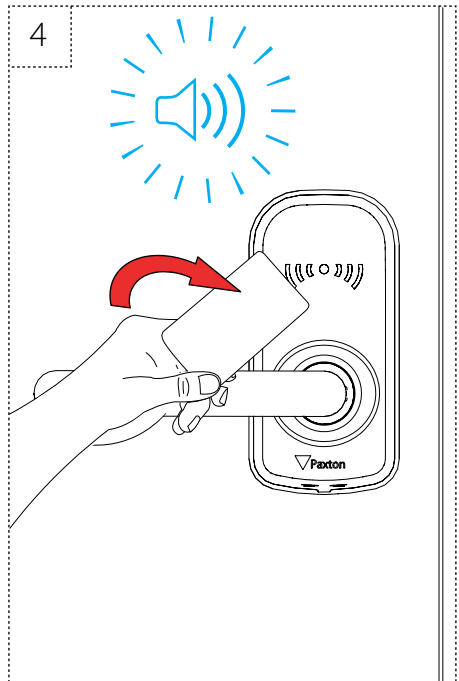
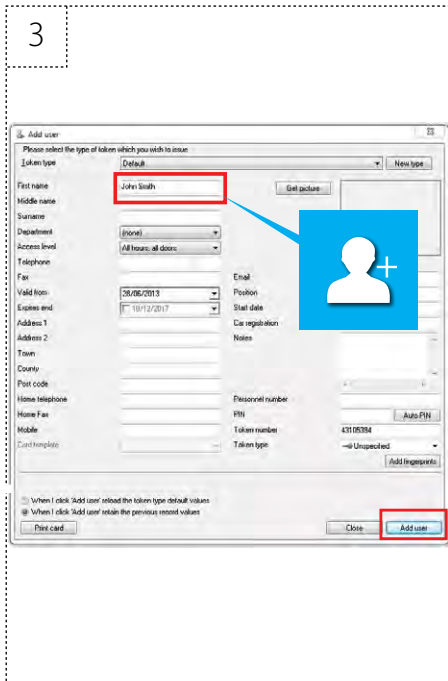
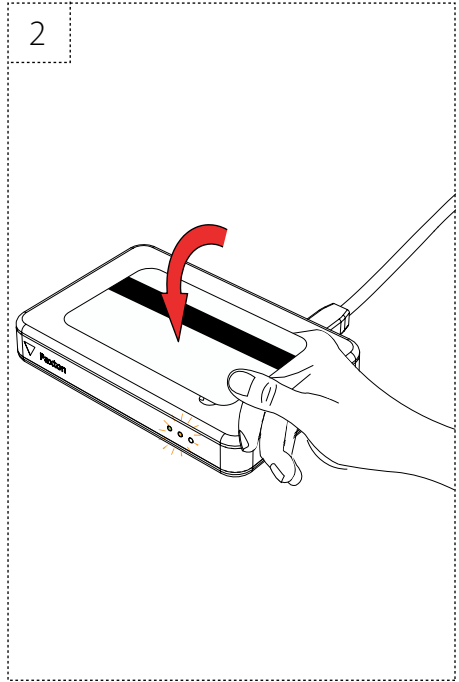
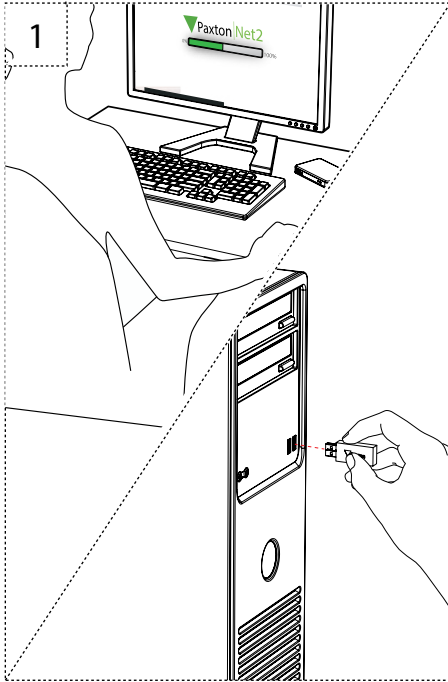


19



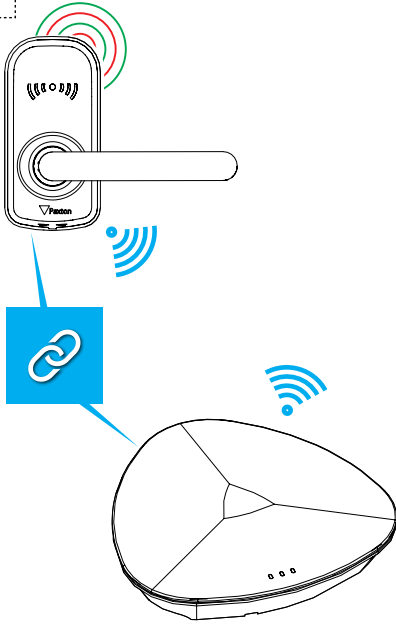
20



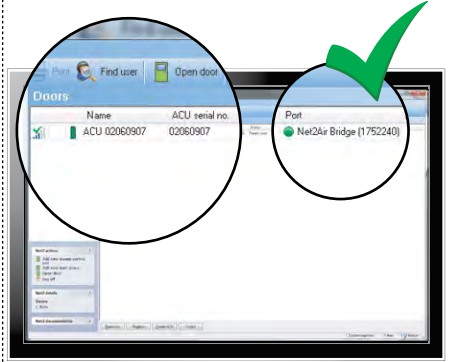


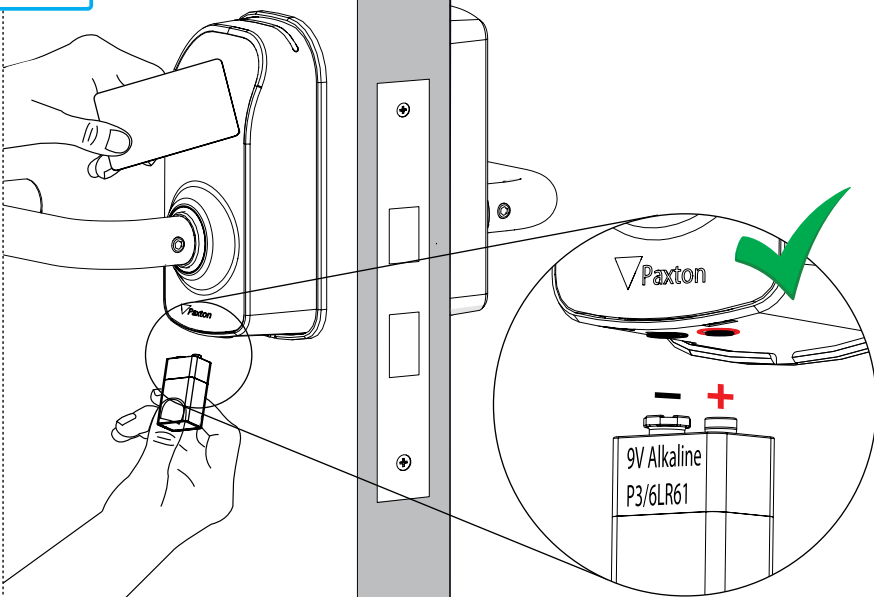
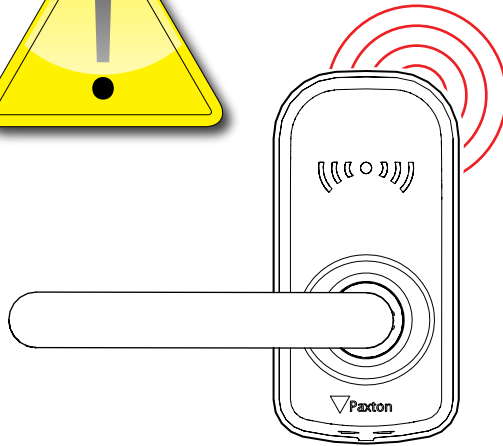


5



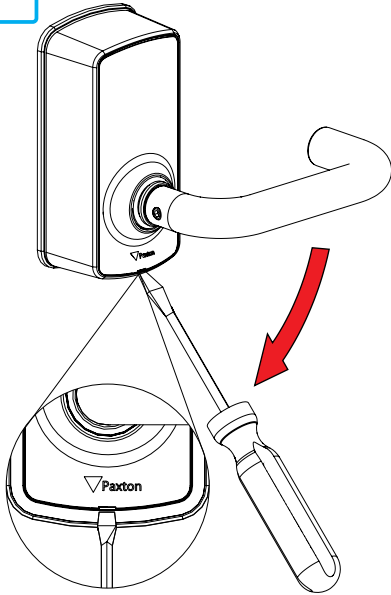
6



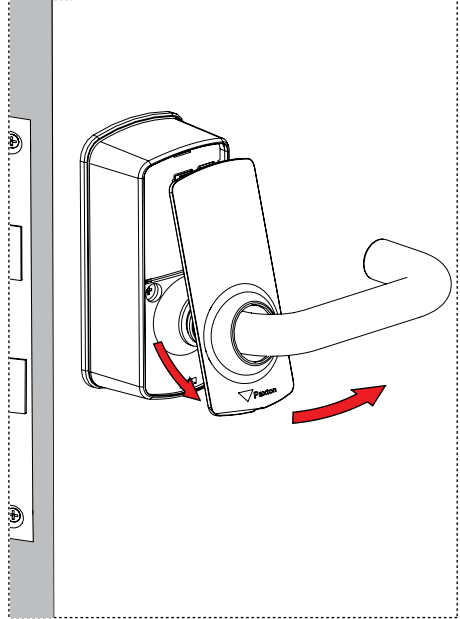




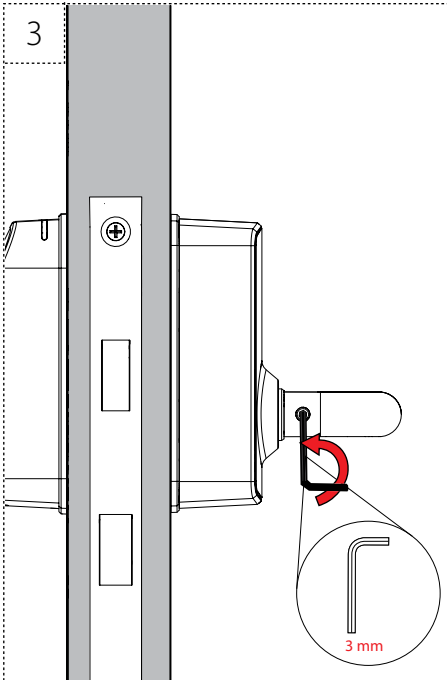
1



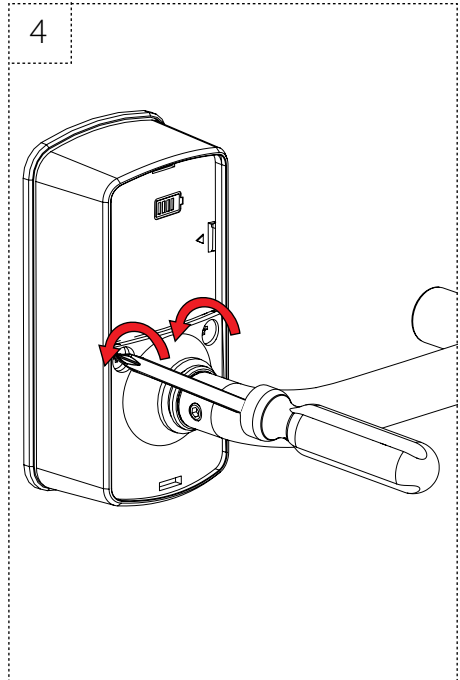
2



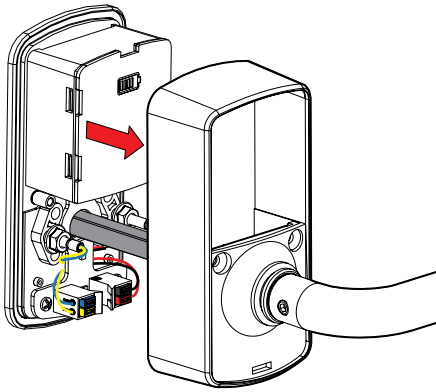
3



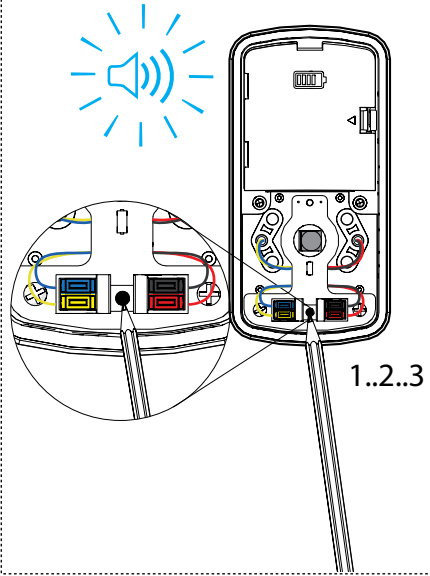
4



5

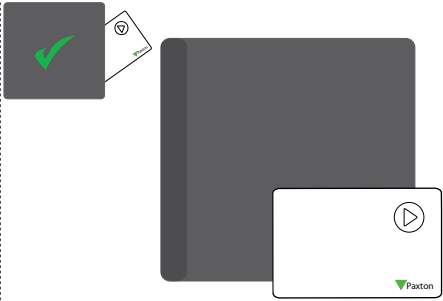


6

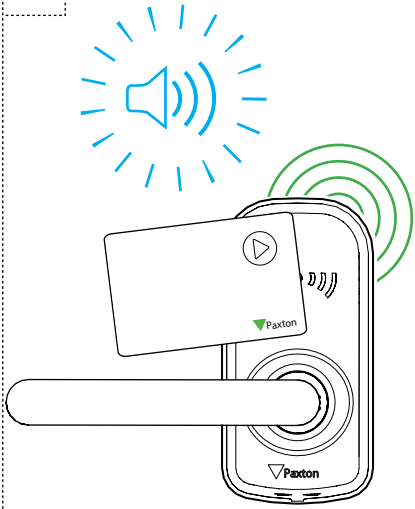




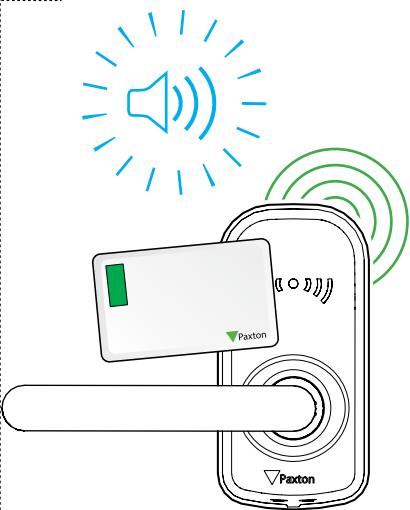
1



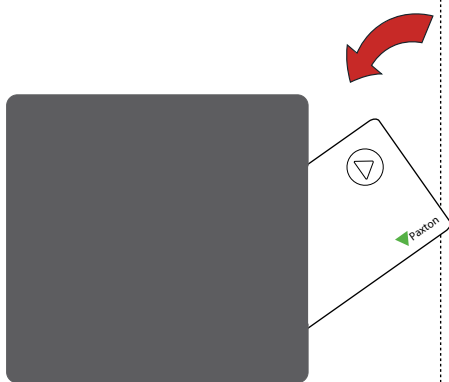
2



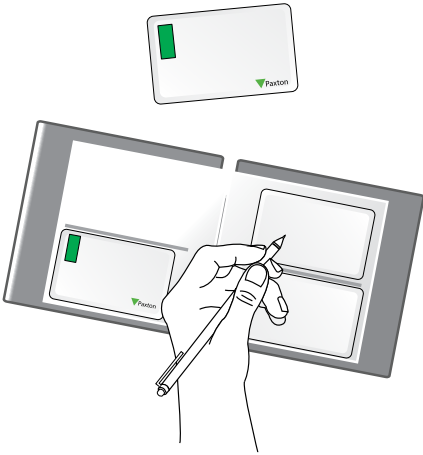
3



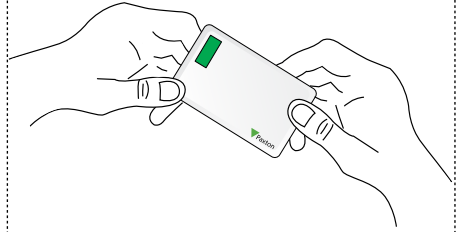
4



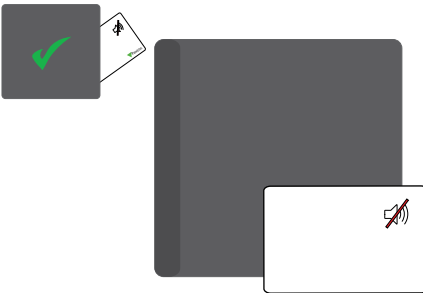
5



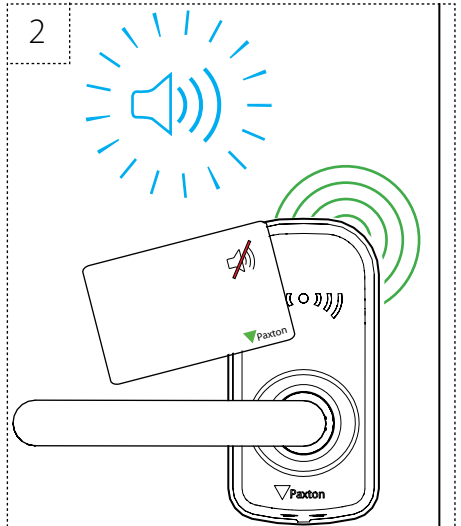
6

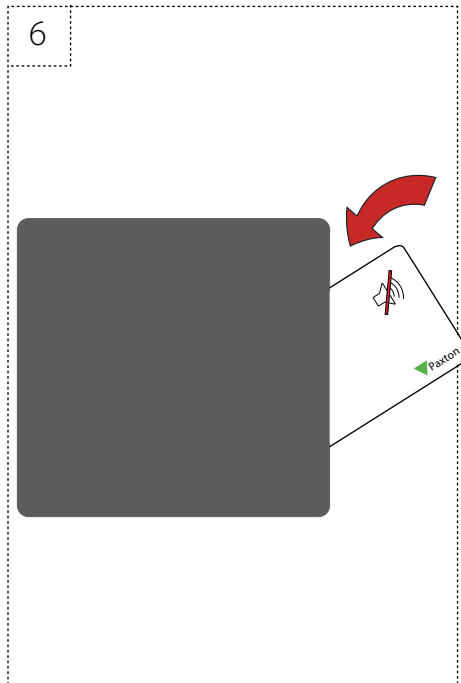
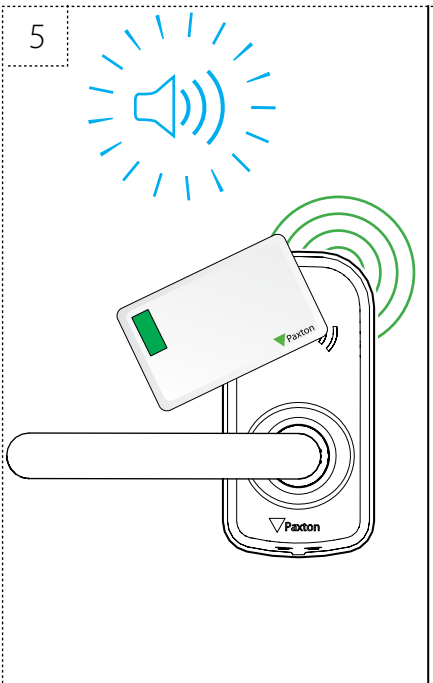
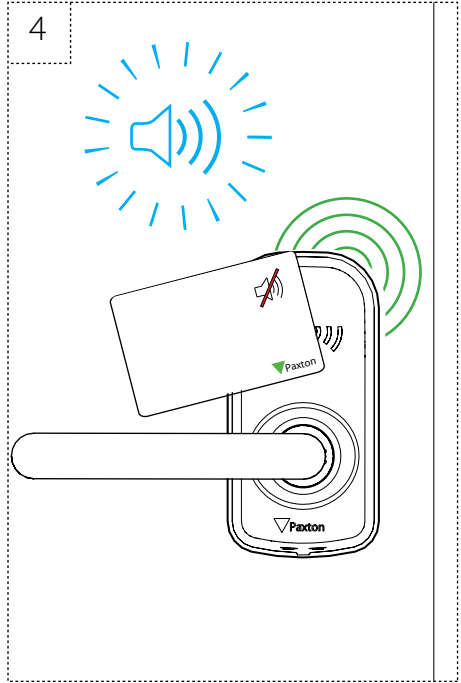
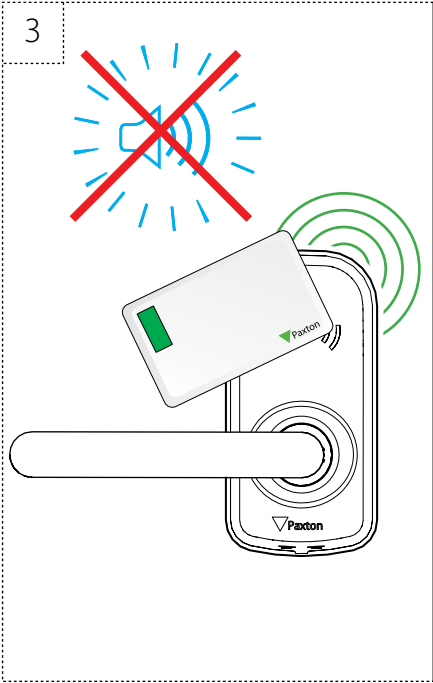


1



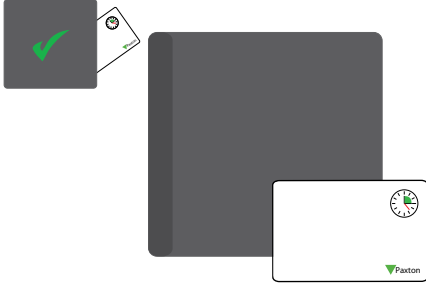
2



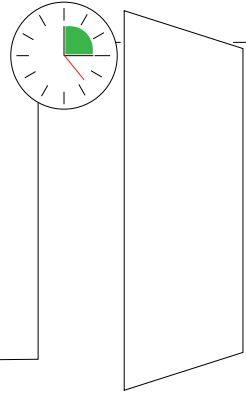




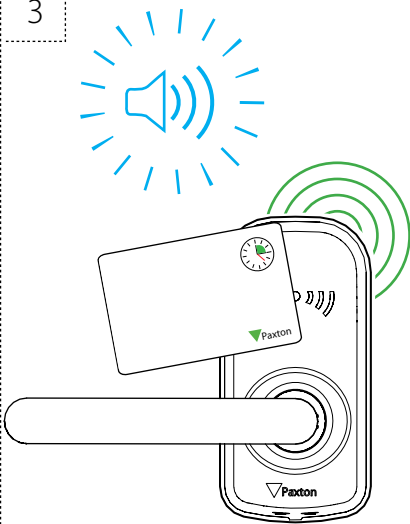
1



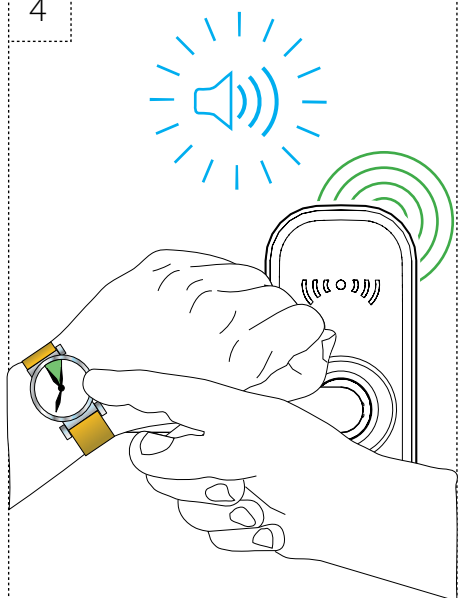
2



3

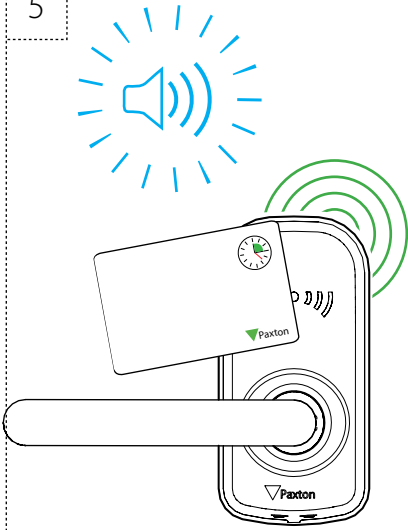


4

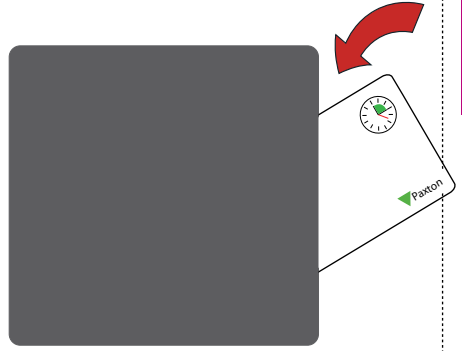




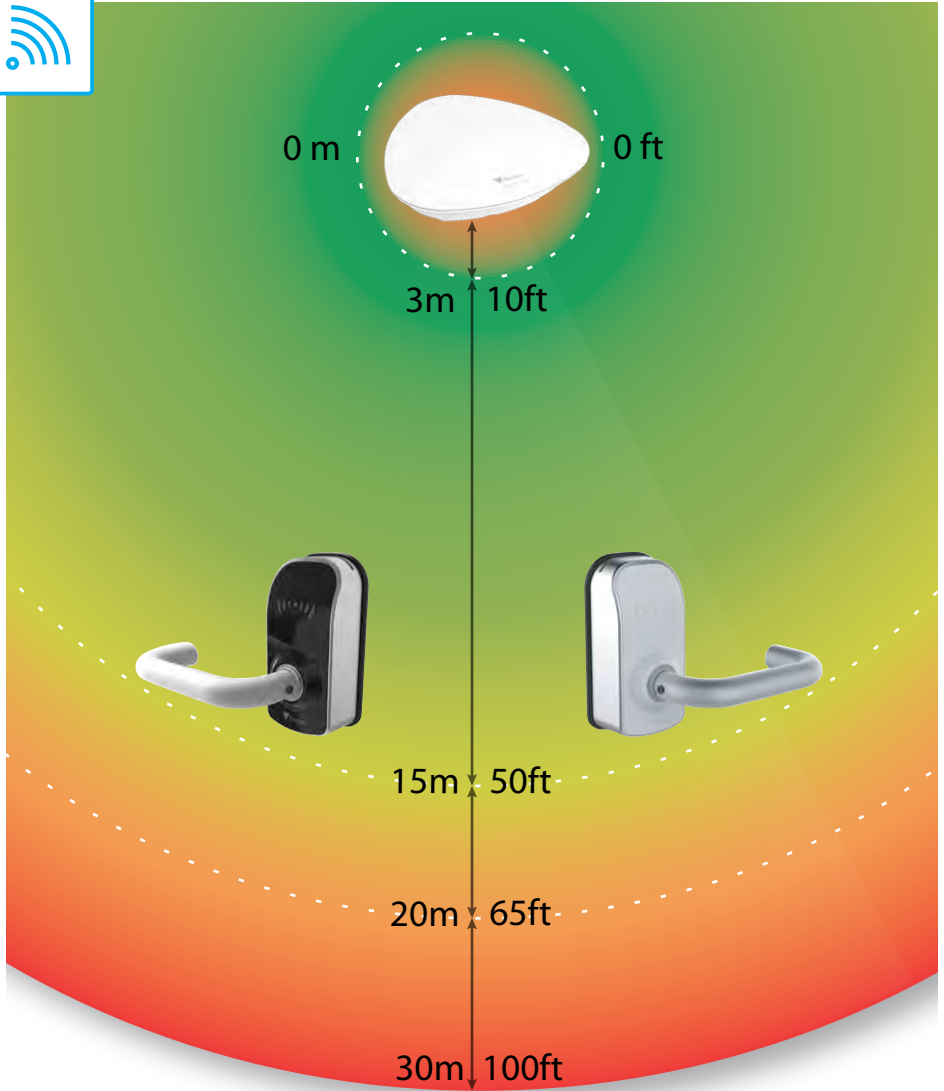
5




6




Standalone







≤ 50000




IEEE 802.15.4




-20°C +55°C  
-4°F +131°F




-0°C +49°C  
+32°F +120°F




≤ 10 mm




4 x AA Alkaline



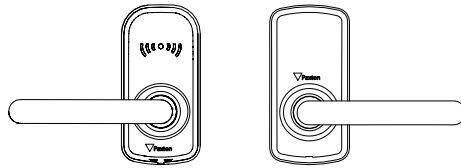
3m - 15m  
10 ft - 50 ft



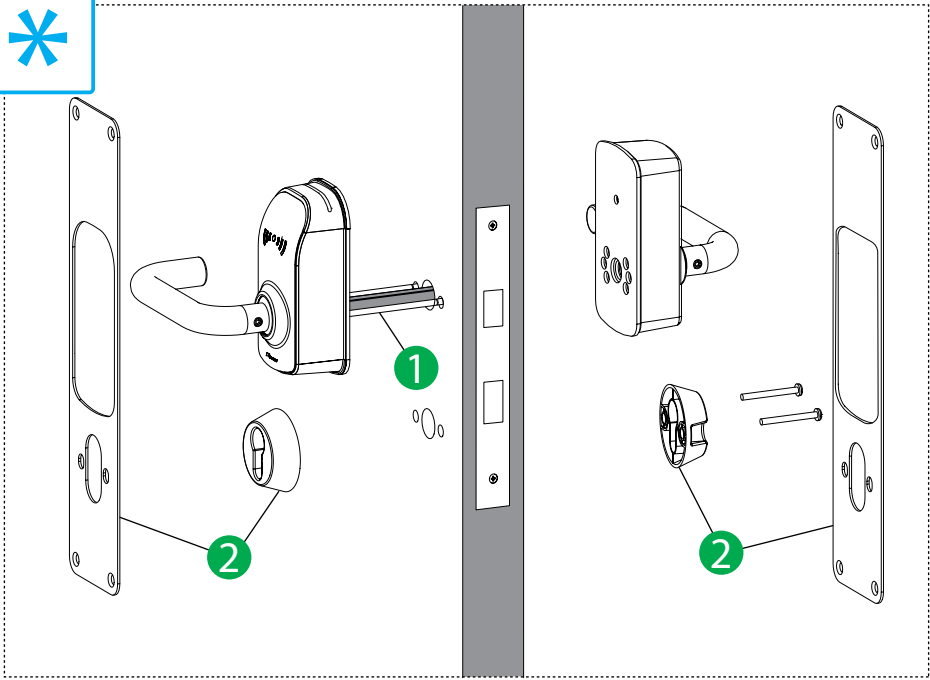
35 - 60 mm



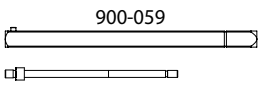
6V  
800mA



900-100WT	✗	✗
900-100BL	✗	✗
900-200WT	✓	✗
900-200BL	✓	✗



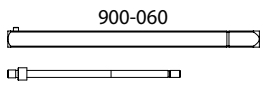
1



900-059



50mm-54mm



900-060



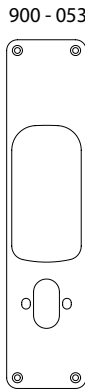
57mm-62mm

2



900-051

\*



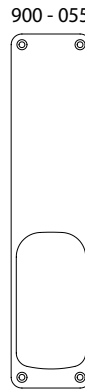
900-053

\*



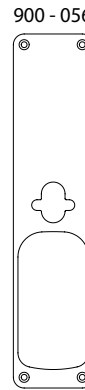
900-054

\*



900-055

\*

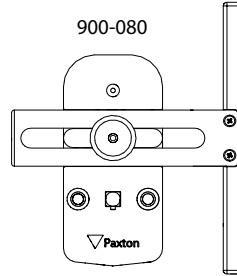
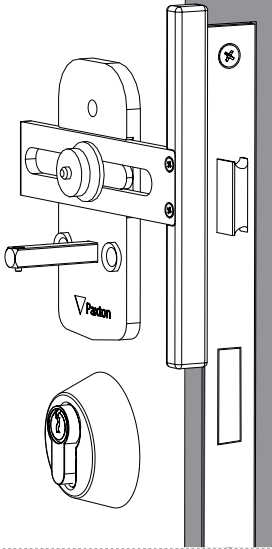


900-056

\*



\* <http://paxton.info/3560>





+44 (0)1273 811011  
 support@paxton.co.uk  
 paxton.support



877.438.7298  
 supportUS@paxton-access.com  
 usapaxton.support



+31 (0)76 3333 999  
 support@paxton-benelux.com  
 paxton.benelux.support



+32 (0) 78485147  
 support@paxton-benelux.com  
 paxton.benelux.support



+49 (0) 251 2080 6900  
 verkauf@paxton-gmbh.de  
 paxton.gmbh.support



+33 (0)1 57 32 93 56  
 support@paxtonaccess.fr  
 paxton.support



+27 (0) 21 4276691  
 support@paxtonaccess.co.za  
 paxton.support



8000 3570 3783  
 support@paxtonaccess.ae  
 paxton.support



+52 55 5351 3667  
 soporte@paxton-access.com  
 paxton.soporte



+57 1508 8198  
 soporte@paxton-access.com  
 paxton.soporte



+44 (0)1273 811011  
 support@paxton.co.uk  
 paxton.support



Paxton Access Ltd hereby declares that this product is in conformity with all the essential requirements of the Directive 2014/53/EU. <http://paxton.info/4867>

The full declaration of conformity is provided at: <http://paxton.info/3910>

Contact details are provided at: <http://paxton.info/596>

These products are not suitable for retail sale. All warranties are invalid if these products are not installed by a competent person.

Parts of this product are Copyright (c) 2013-2015 Atmel Corporation. All rights reserved. Redistribution and use in source and binary forms, with or without modification, are permitted provided that the following conditions are met:

1. Redistributions of source code must retain the above copyright notice, this list of conditions and the following disclaimer.
2. Redistributions in binary form must reproduce the above copyright notice, this list of conditions and the following disclaimer in the documentation and/or other materials provided with the distribution.
3. The name of Atmel may not be used to endorse or promote products derived from this software without specific prior written permission.
4. This software may only be redistributed and used in connection with an Atmel microcontroller product.

THIS SOFTWARE IS PROVIDED BY ATMEL "AS IS" AND ANY EXPRESS OR IMPLIED WARRANTIES, INCLUDING, BUT NOT LIMITED TO, THE IMPLIED WARRANTIES OF MERCHANTABILITY, FITNESS FOR A PARTICULAR PURPOSE AND NON-INFRINGEMENT ARE EXPRESSLY AND SPECIFICALLY DISCLAIMED. IN NO EVENT SHALL ATMEL BE LIABLE FOR ANY DIRECT, INDIRECT, INCIDENTAL, SPECIAL, EXEMPLARY, OR CONSEQUENTIAL DAMAGES (INCLUDING, BUT NOT LIMITED TO, PROCUREMENT OF SUBSTITUTE GOODS OR SERVICES; LOSS OF USE, DATA, OR PROFITS; OR BUSINESS INTERRUPTION) HOWEVER CAUSED AND ON ANY THEORY OF LIABILITY, WHETHER IN CONTRACT, STRICT LIABILITY, OR TORT (INCLUDING NEGLIGENCE OR OTHERWISE) ARISING IN ANY WAY OUT OF THE USE OF THIS SOFTWARE, EVEN IF ADVISED OF THE POSSIBILITY OF SUCH DAMAGE.

The NET2 Paxlock is EN1634-1:2008 compliant up to FD60 Fire resistance.

Compliance is subject to the following conditions:

Paxlock shall be installed in conjunction with an appropriately rated mortice lock case. The fire test and assessment reports are available on request. For further details on the conditions of compliance Contact details are provided at: <http://paxton.info/596>

Paxlock Pro is only EN179 compliant when used with the Paxton Access EN179 accessory kit (sales code 901-015).



<http://paxton.info/1606>



Made in the UK

