

 Paxton

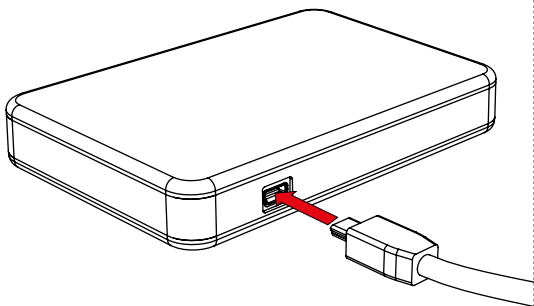


ins-30217-US

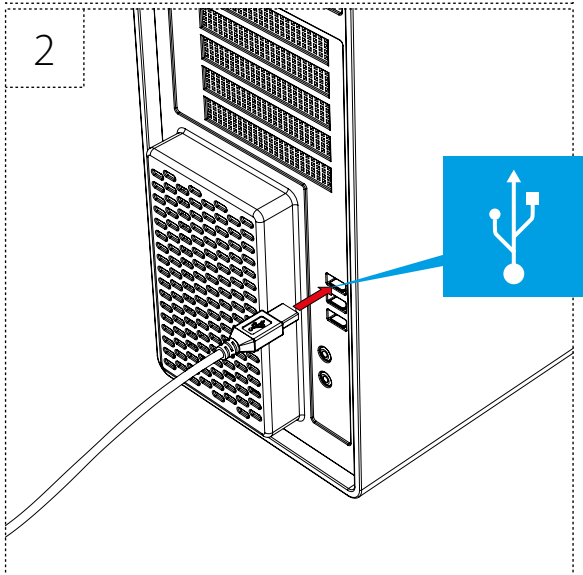
Desktop reader with keyboard output- USB



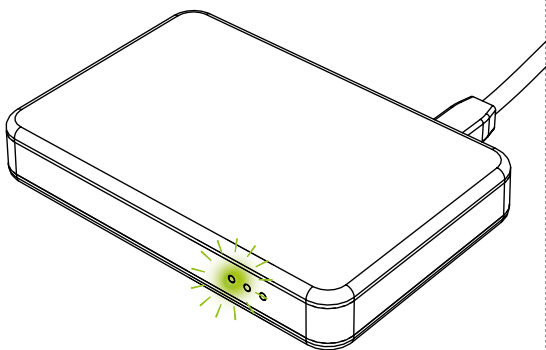
1



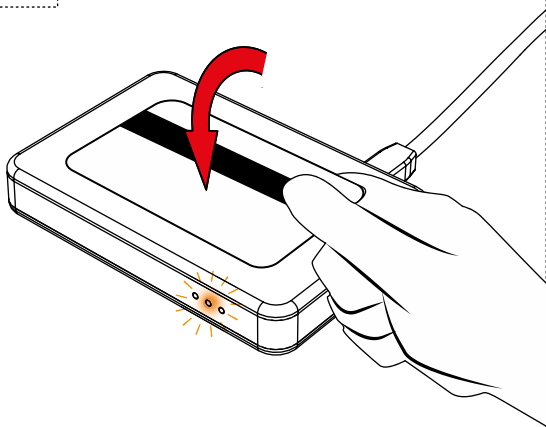
2



3



4



Desktop Reader

The desktop reader is designed to sit next to the PC. It is used for reading credentials and outputting the token number in a keyboard output format.

It can be used for adding tokens to a system and for identifying lost cards. Additional workstations can also have desktop readers. As this is a keyboard output reader, care must be taken with its use. Credentials presented to the reader will place the information at the point the cursor is located on a computer screen. It is therefore important that you have placed your cursor in the correct location prior to presenting a card.

The new user window in your software must be manually opened and the cursor located in the 'token number' field for the token to be correctly added to the system.

Installation guidelines for Net 2

This unit is for indoor use only

- Plug the reader into a convenient USB port on the PC with the supplied USB cable
- Stop and then restart the Net2 server program. The device will now be available to the Net2 program
- This unit requires Net2 v3.09 or later software. Support for Mifare cards requires v4.17 or later.
- Call Technical Support if you require a software upgrade.


Power supply

- The power for the unit is supplied via the USB cable. No additional supply is required
- Wiring methods shall be in accordance with the National Electrical Code (ANSI/NFPA70), local codes, and the authorities having jurisdiction.

Maintenance

- Following the completed installation of this equipment, no further maintenance or testing is required.
- It is advisable to ensure that any third party backup power supplies or recovery procedures are checked regularly to ensure that the operation of the Paxton system is not compromised.

214-326-US

Current	$\leq 100\text{mA}$
Voltage	4.75V DC - 5.25V DC
Waterproof	
Operating temperature	-40°C - +66°C -40°F - +131°F



+44 (0)1273 811011
support@paxton.co.uk
paxton.support



877.438.7298
supportUS@paxton-access.com
usapaxton.support



+31 (0)76 3333 999
support@paxton-benelux.com
paxton.benelux.support



+32 (0) 78485147
support@paxton-benelux.com
paxton.benelux.support



+49 (0) 251 2080 6900
verkauf@paxton-gmbh.de
paxton.gmbh.support



+33 (0)1 57 32 93 56
support@paxtonaccess.fr
paxton.support



+27 (0) 21 4276691
support@paxtonaccess.co.za
paxton.support



8000 3570 3783
support@paxtonaccess.ae
paxton.support



+52 55 5351 3667
soporte@paxton-access.com
paxton.soporte



+57 1508 8198
soporte@paxton-access.com
paxton.soporte



+44 (0)1273 811011
support@paxton.co.uk
paxton.support



Paxton Access Ltd hereby declares that this product is in conformity with all the essential requirements of the Directive 2014/53/EU. <http://paxton.info/4867>

The full declaration of conformity is provided at: <http://paxton.info/3910>

Contact details are provided at: <http://paxton.info/596>

These products are not suitable for retail sale. All warranties are invalid if these products are not installed by a competent person.

North America:- Product compliance and limitations

This device complies with Industry Canada licence-exempt RSS standard(s). Operation is subject to the following two conditions: (1) this device may not cause interference, and (2) this device must accept any interference, including interference that may cause undesired operation of the device.

FCC Compliance

This device complies with Part 15 of the FCC Rules. Operation is subject to the following two conditions:

(1) this device may not cause harmful interference, and (2) this device must accept any interference received, including interference that may cause undesired operation. Changes or modifications not expressly approved by the party responsible for compliance could void the user's authority to operate the equipment.

Conformité et limitations du produit

Ce dispositif est conforme au(x) standards RSS de l'industrie Canadienne sans-licence. Le fonctionnement est soumis aux deux conditions suivantes : (1) ce dispositif ne doit pas créer d'interférences nuisibles et (2) ce dispositif doit accepter toute interférence reçue, y compris des interférences qui peuvent causer un fonctionnement non souhaité.

Conformité FCC

Ce dispositif est conforme à la section 15 du règlement de la FCC. Le fonctionnement est soumis aux deux conditions suivantes : (1) ce dispositif ne doit pas créer d'interférences nuisibles et (2) ce dispositif doit accepter toute interférence reçue, y compris des interférences qui peuvent causer un fonctionnement non souhaité. Tout changement ou modification non agréé par la partie responsable de la mise en conformité peut entraîner une interdiction d'utilisation de l'équipement.



<http://paxton.info/1606>

 Made in the UK

