

# Paxton 12V 1A DC power supply – Plastic housing

## System specifications

12V DC output 1

## Electrical

Supply voltage input 100V AC - 240V AC  
 Output voltage 12 V dc  
 Output current 1000 mA  
 Frequency 50-60Hz

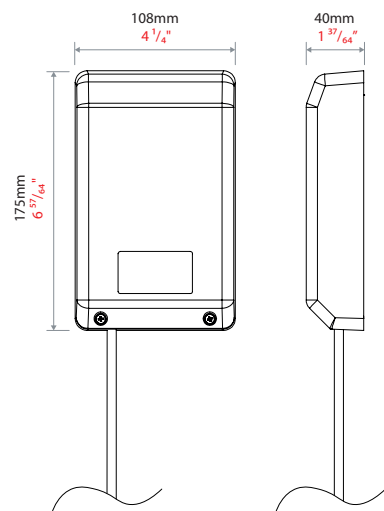
## Hardware features

Back up battery No

## Environment

Operating temperature -20°C - +55°C  
 -4°F - +131°F  
 Moisture resistance No

## Dimensions



A compact 12V DC power supply for use with Paxton systems, designed to connect to a standard UK mains supply via a switched fused spur connection.

The 998-241-US is a 1A 12V dc power supply in a plastic enclosure. This is a low-cost alternative to the boxed backup power supplies, suitable for running small installations with low power requirements such as our standalone range of products; Compact & Switch2.

## Sales Codes

Paxton 12V 1A DC power supply - Plastic housing 998-241-US