

Paxton - 12V 1A DC power supply, with Plastic housing

System specifications

12V DC output 1

Electrical

Supply voltage input 100V AC - 240V AC
 Output voltage 12 V dc
 Output current 1000 mA
 Frequency 50-60Hz

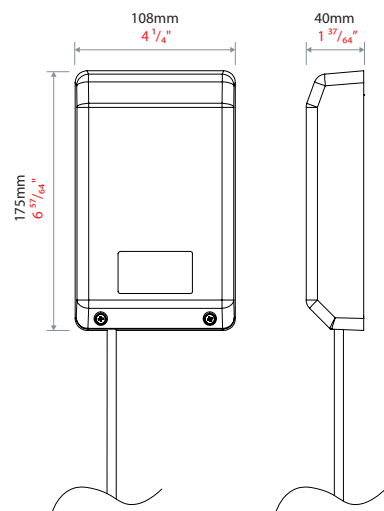
Hardware features

Back up battery No

Environment

Operating temperature -20°C - +55°C
 -4°F - +131°F
 Moisture resistance No

Dimensions



A compact 12V DC power supply for use with Paxton systems, designed to connect to a standard UK mains supply via a switched fused spur connection.

The 998-241-EX is a 1A 12V dc power supply in a plastic enclosure. This is a low-cost alternative to the boxed backup power supplies, suitable for running small installations with low power requirements such as our standalone range of products; Compact & Switch2.

Sales Codes

Paxton - 12V 1A DC power supply, with Plastic housing 998-241-EX