

Entry Standard monitor

System specifications

| | |
|---------------------------------|---------------------------------------|
| Power over Ethernet (PoE) | Yes - IEEE 802.3af class 0 |
| Ethernet bandwidth requirement | 1Mb/s multicast per panel during call |
| Monitors per system | ≤1000 |
| TCP/IP Ethernet extension limit | 100m/328ft |
| Cable type | CAT5 |
| Current consumption | 2.6 W (Average) 3.2 W (Max) |

Hardware features

| | |
|-----------------------------|---|
| Audio system | Full Duplex |
| Screen | Colour LED , capacitive Touch screen |
| Screen size | 4.3",16:9 |
| Screen resolution | 480 x 272 |
| Door bell input | 2 wire, 8v illumination supported |
| LED status indicator | RGB LED Answer call - Green Open door- Flashing Green Doorbell - Blue Missed calls & Messages - Red |
| Back lighting colour | White |
| Action buttons | Yes - only in conjunction with Net2 software |
| Sounder beacon relay | Yes, 2A |
| Line out for T-loop antenna | Yes |

Software features

| | |
|-------------------------|-----|
| Selectable ringtones | Yes |
| Do Not Disturb function | Yes |
| Call snapshot | Yes |
| Built in help menu | Yes |
| 'View video' mode | Yes |
| Concierge compatible | Yes |
| Call log events | 100 |

Environment

| | |
|-----------------------|--------------------------------|
| Operating Temperature | -0°C - +49°C +32°F - +120°F |
| Moisture resistance | No |
| Vandal Resistance | Low |
| Surface mount | Yes |
| Backbox compatibility | UK, Euro, USA |

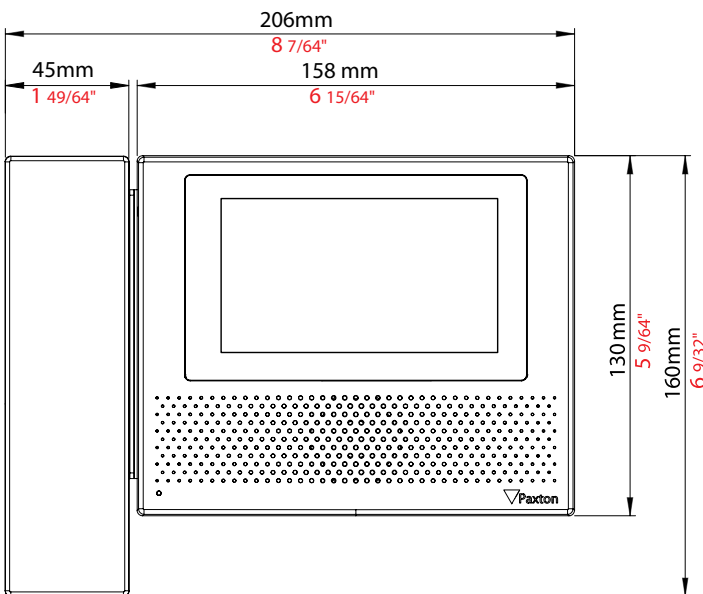
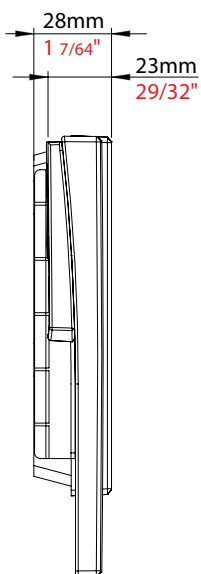
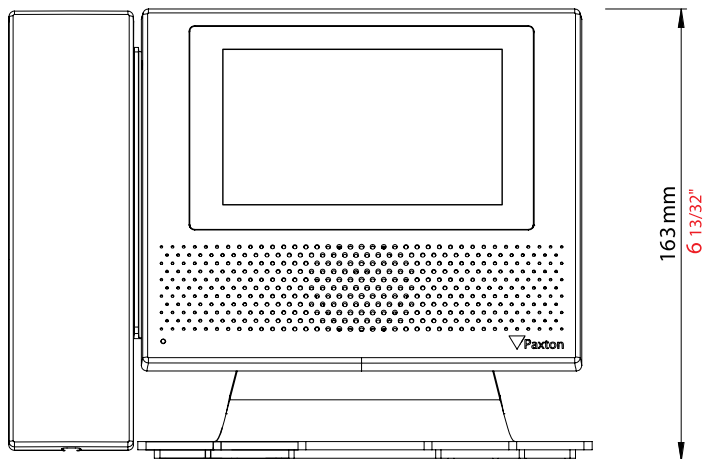
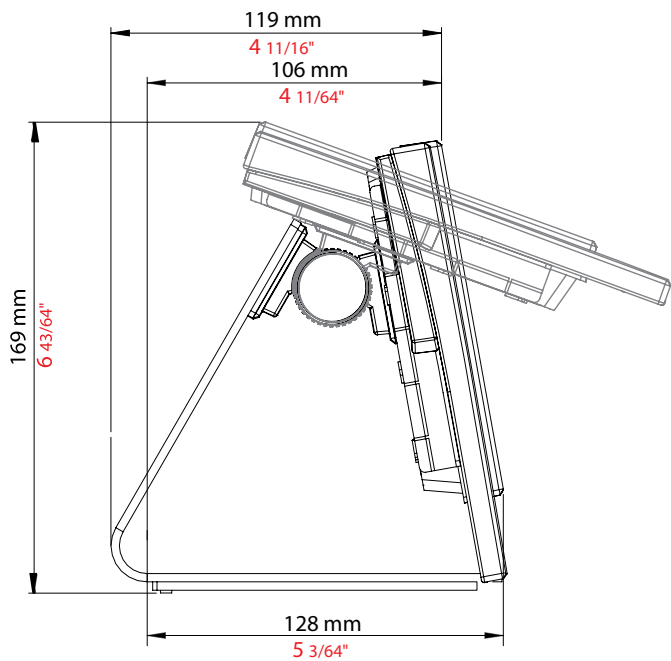
Accessories

| | |
|---------------|----------|
| Desktop stand | Optional |
|---------------|----------|



Entry is a door entry system that works standalone or alongside Paxton's Net2 access control, combining door entry with key features of Net2 or as part of our access control and video management solution, Paxton10. Entry consists of 3 components that auto-detect on set up; external panel, interior monitor and door control unit. Entry is a plug and play solution that comes with a range of panel and monitor options and is suitable for a wide variety of sites.

The 2nd generation Entry Standard monitor comes either with or without a handset, and can be wall or desk mounted. Entry components simply interconnect using Cat5 or standard RJ45 terminated patch cables. Entry can also utilise existing network infrastructure for simple installation. PoE technology runs power and data along the same cable to avoid the need for separate power supplies. A visitor initiates a video call via the bell button on the external panel. Visitor access can be granted via the Entry Standard monitor, which features an intuitive capacitive touchscreen user interface.



Sales codes

| | |
|---------------------------------------|------------|
| Entry Standard monitor | 337-280-EX |
| Entry Standard monitor - with handset | 337-282-EX |

Accessories

| | |
|-------------------------------|------------|
| Entry monitor - desktop stand | 337-294-EX |
|-------------------------------|------------|

