

MIFARE Classic® 4K keyfob

System specifications

Operating frequency	13.56 MHz
Memory	4K
Data retention	10 years

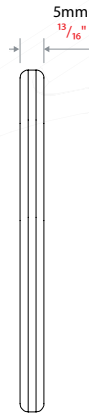
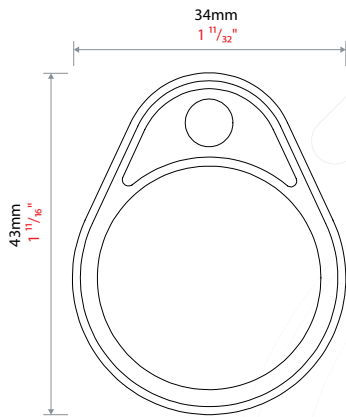
Hardware features

Material	PC
----------	----

Environment

Operating temperature	-20°C - 85°C
-----------------------	--------------

Dimensions



Proximity MIFARE® tokens for use with Net2 readers or 3rd party readers that use MIFARE technology. Keyfobs supplied in packs of 10. MIFARE is a registered trademark of NXP B.V. and is used under license.

To issue a token the user's details are entered using the PC software. Present the card to the desktop reader and the unique number will be read into Net2.

Once programmed into the software the token is ready for use. Simply present the token to a reader, the access permissions will be instantly looked up and access granted or denied as appropriate.

Sales Codes

MIFARE Classic® 4K keyfob – Pack of 10	695-150-EX
--	------------