

PaxLock Pro - Mortise

System specifications

Maximum total tokens	100 card packs (up to 5,000 tokens/users)
Maximum total users	10,000
Token compatibility	Paxton, EM4100/02, MIFARE®, MIFARE® Classic, MIFARE® DESFire® EV1, MIFARE Plus®, MIFARE Ultralight®, MIFARE Ultralight C®, MIFARE Mini®, HID® Prox, Sony®, FeliCa Lite-S®, NFC
Stored events	16,000
Hands free compatible	No
Door open time	1- 60 Seconds
Silent operation	Yes
Door Traffic	Typically up to 75 uses per day

Electrical

Battery type	4x AA 1.5V Alkaline
Battery life	55,000 Operations

Communication

Wireless	Bluetooth** 2.4GHz (IEEE 802.15.4)
Default Channel	25
Recommended wireless devices per Net2Air Bridge	10
Typical wireless range	Bluetooth** 15m/50ft
Encryption	AES128

Features

Door widths supported	1-3/4" 2" (door kit required) 2-1/4" (door kit required)
Door contact	N/A
Rear handle exit request	Yes
Low battery warning	Yes
Depleted battery jumpstart terminals	Yes
Colour	Black or White

Lock case compatibility

Backset	2-3/4"
Rotation	≤45°
Cylinder type	N/A
Single Action Egress	Yes
Mortise Suitability	Yale® Latchbolt Mortise Lock 901-053-US Yale® Deadbolt Mortise Lock 901-054-US

Environment

Operating temperature	Reader side: -31°F ~ +151°F Battery side: +32°F ~ +120°F
Moisture resistance	UL294 exterior rated (reader side only)
Fire resistance	UL10C 3hrs



The PaxLock Pro - Mortise represents Paxton's 3rd generation of electronic door handle; offering a robust, featureful and aesthetically pleasing product suitable for a multitude of installations.

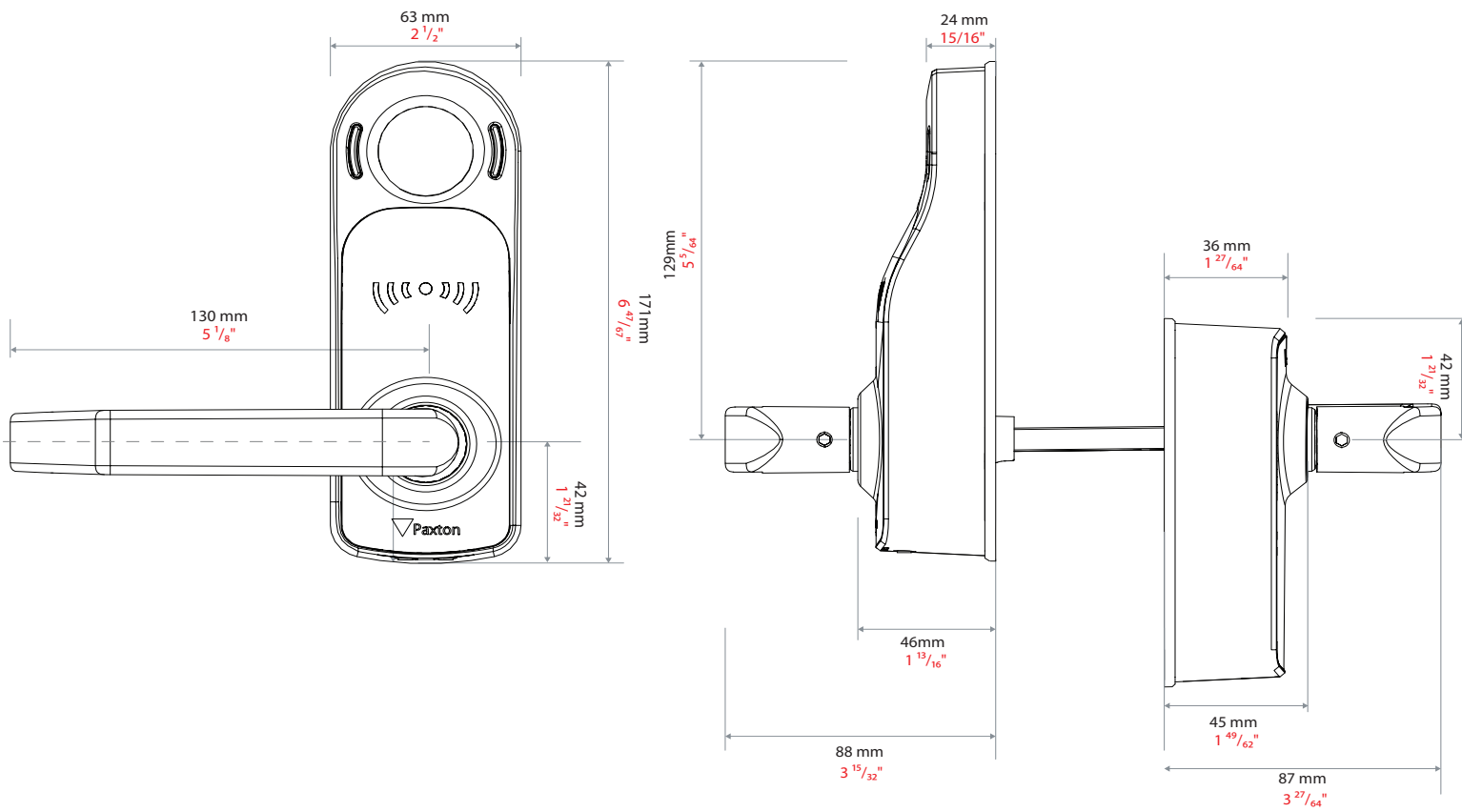
The new design has been created to be both simple to install, intuitive to use and backed up by Paxton's market leading 5 year warranty.

Offering three modes of operation the user can choose to use the PaxLock Pro - Mortise as a standalone offline device, connect it to a Net2 system via a Paxton Net2Air bridge or connect it to a Paxton10 system via a Paxton10 Wireless Connector.

- Dual frequency reader
- Wireless real-time event reporting
- When PaxLock Pro - Mortise is unlocked the handle moves freely
- Dual standalone and online functionality in one unit

FCC Part 15	✓
ISED	✓
UL 294	✓
Tested to ANSI 156.25	✓
UL10C/ ULC S104	✓

Dimensions



Sales codes

PaxLock Pro - Mortise, Galaxy - white	900-640WT-US
PaxLock Pro - Mortise, Galaxy - black	900-640BL-US
PaxLock Pro - Mortise, Eclipse - white	900-650WT-US
PaxLock Pro - Mortise, Eclipse - black	900-650BL-US

Locks

PaxLock Pro - Latchbolt Mortise Lock	901-053-US
PaxLock Pro - Deadbolt Mortise Lock	901-054-US
Yale® 1 1/2" lock cylinder	901-058-US

PaxLock Pro - Mortise, 2" door kit 900-061-US

PaxLock Pro - Mortise, 2-1/4" door kit 900-062-US

Demo Kit

PaxLock Pro - US Demonstration kit, Mortise & Latch 900-695-US



* Only compatible when part of a Paxton10 system