

PaxLock Pro - Latch

System specifications

Maximum total tokens	100 card packs (up to 5,000 tokens/users)
Maximum total users	10,000
Token compatibility	Paxton, EM4100/02, MIFARE®, MIFARE® Classic, MIFARE® DESFire® EV1, MIFARE Plus®, MIFARE Ultralight®, MIFARE Ultralight C®, MIFARE Mini®, HID® Prox, Sony®, FeliCa Lite-S®, NFC
Stored events	16,000
Hands free compatible	No
Door open time	1 - 60 seconds
Silent operation	Yes
Door Traffic	Typically up to 75 uses per day

Electrical

Battery type	4x AA 1.5V Alkaline
Battery life	55,000 Operations

Communication

Wireless	Bluetooth** 2.4GHz (IEEE 802.15.4)
Default Channel	25
Recommended wireless devices per Net2Air Bridge	10
Typical wireless range	Bluetooth** 15m/50ft
Encryption	AES128

Features

Door widths supported	1- ³ / ₈ " 1- ³ / ₄ " 2" (door kit required) 2- ¹ / ₄ " (door kit required)
Door contact	N/A
Rear handle exit request	Yes
Low battery warning	Yes
Depleted battery jumpstart terminals	Yes
Color	Black or White

Lock case compatibility

Backset	2- ³ / ₈ " 2- ³ / ₄ "
Rotation	≤45°
Cylinder type	N/A
Single Action Egress	Yes
Compatibility	PaxLock Pro - Tubular latch 2- ³ / ₈ " 901-051-US PaxLock Pro - Tubular latch 2- ³ / ₄ " 901-052-US

Environment

Operating temperature	Reader side: +32°F ~ +120°F Battery side: +32°F ~ +120°F
Fire resistance	N/A



The PaxLock Pro - Latch represents Paxton's 3rd generation of electronic door handle; offering a robust, featureful and aesthetically pleasing product suitable for a multitude of installations.

The new design has been created to be both simple to install, intuitive to use and backed up by Paxton's market leading 5 year warranty.

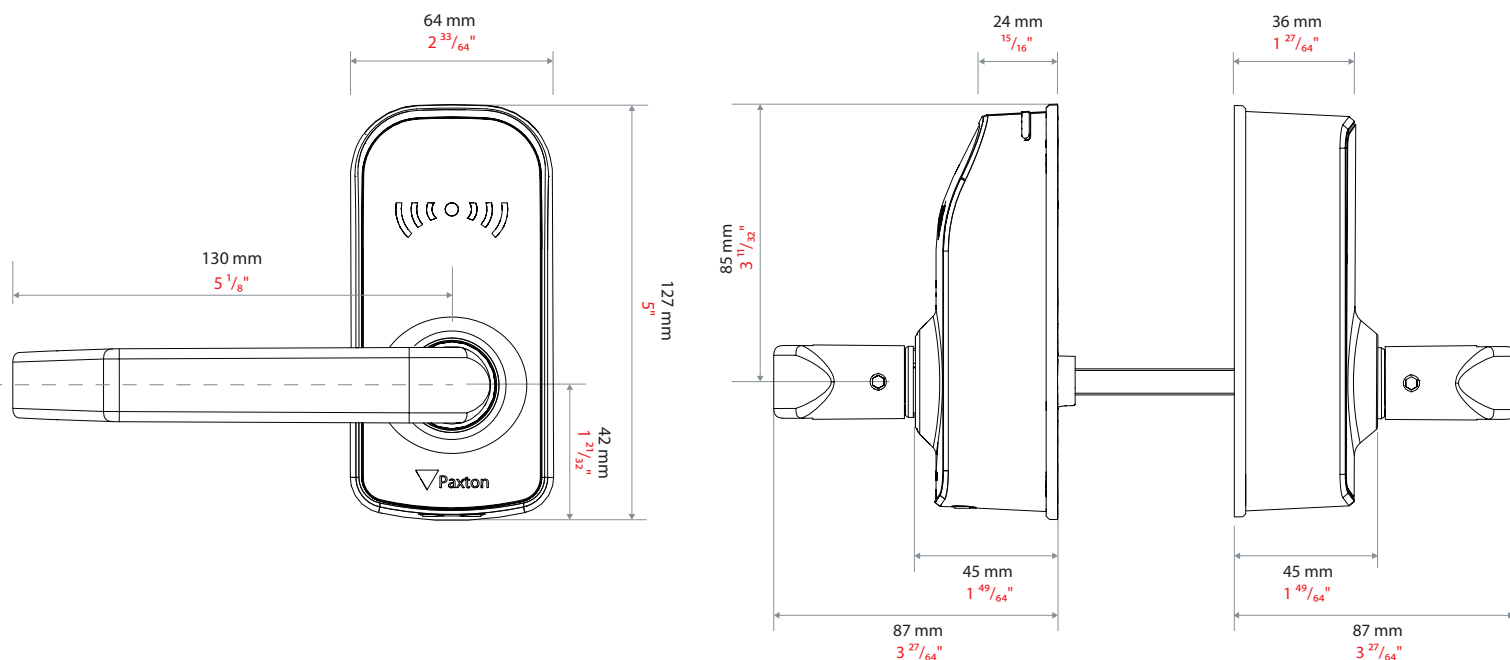
Offering three modes of operation the user can choose to use the PaxLock Pro - Latch as a standalone offline device, connect it to a Net2 system via a Paxton Net2Air bridge or connect it to a Paxton10 system via a Paxton10 Wireless Connector.

- Dual frequency reader
- Wireless real-time event reporting
- When PaxLock Pro - Latch is unlocked the handle moves freely
- Compatible with standard cylindrical doors using tubular latch
- Dual standalone and online functionality in one unit

Certification

FCC part 15	✓
ISED	✓
UL294	✓

Dimensions



Sales codes

PaxLock Pro - Latch, Galaxy, white	900-625WT-US
PaxLock Pro - Latch, Galaxy, black	900-625BL-US
PaxLock Pro - Latch, Eclipse, white	900-635WT-US
PaxLock Pro - Latch, Eclipse, black	900-635BL-US

Accessories

PaxLock Pro - Latch, 2" door kit	900-059-US
PaxLock Pro - Latch, 2-1/4" door kit	900-060-US

Demo Kit

PaxLock Pro - US Demonstration kit, Mortise & Latch	900-695-US
---	------------

* Only compatible when part of a Paxton10 system