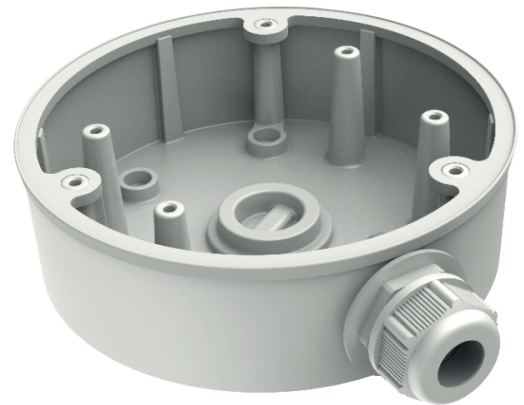


Paxton10 Junction Box for Turret camera

Overview

The camera junction box enables a simple, tidy installation for the Paxton10 cameras. Concealing the cables connected to the camera provides an aesthetically pleasing finish.



Features

- Simplifies camera installations
- Weatherproof
- Paxton's 5 year warranty

Specifications



Hardware

Dimensions (W x H x D)	Ø137mm x 42mm
Weight	250g
Material	Aluminum Alloy
Warranty	Paxton 5 year



Environment

Mounting	On a flat surface
----------	-------------------

