

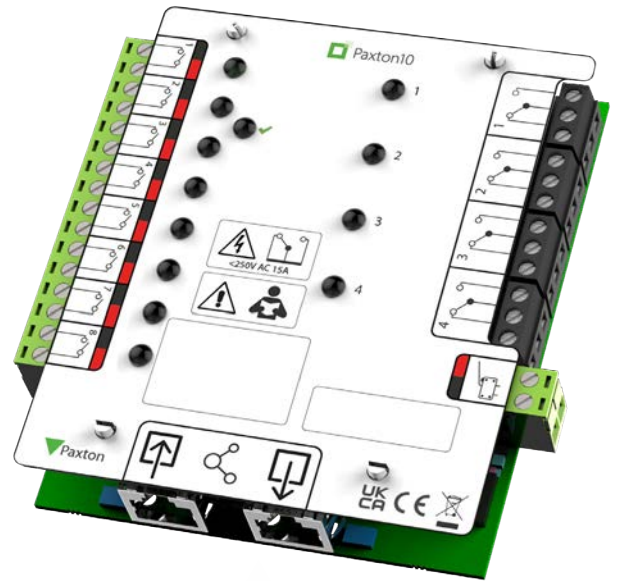
# Paxton10 - I/O Connector

## Overview

The Paxton10 I/O connector is a simple yet powerful input/output expansion module designed for use alongside a Paxton10 door controller. It allows the system to interface with third-party equipment, extending Paxton10 beyond door control applications.

The I/O connector is typically used for applications such as lift control and other building system integrations, where multiple inputs and relay outputs are required. External devices can trigger events within the Paxton10 system, or the system can switch connected equipment in response to configured conditions.

The Paxton10 I/O connector provides 8 inputs and 4 relay outputs, offering flexibility for a wide range of integration scenarios. Communication with the door controller is via RS485. Daisy-chaining is supported in mains-powered installations, allowing one additional I/O connector to be connected where required. PoE daisy-chaining is not supported.

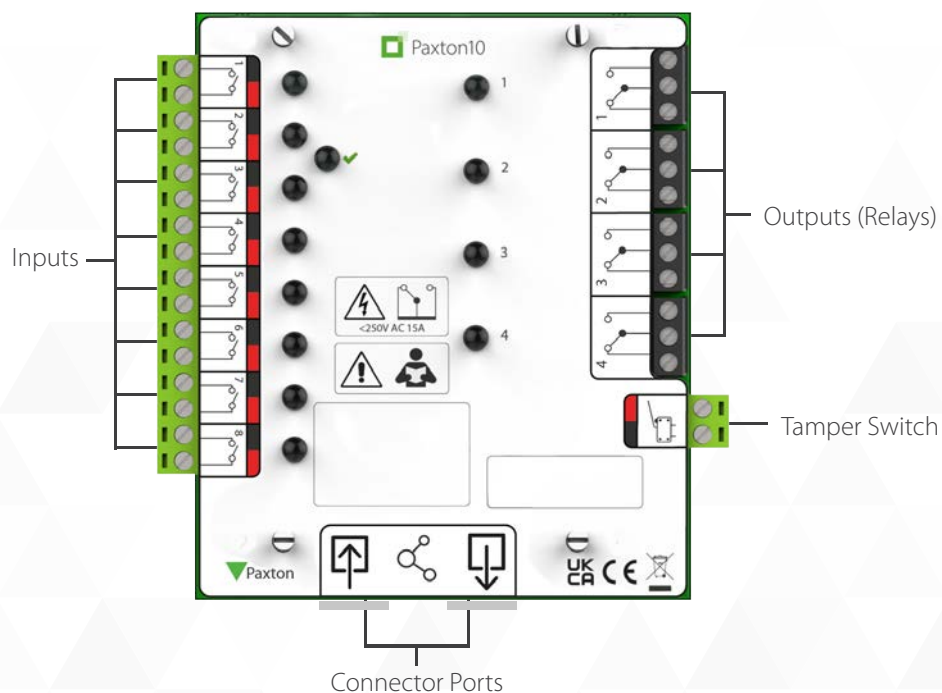


The unit is supplied as PCB only and is intended to be installed within a suitable enclosure or control panel. It is designed for internal use; where external installation is required, appropriate weather protection must be provided.

**Please note:** The Paxton10 I/O connector is not a door controller. It operates as part of a Paxton 10 system and must be connected to a compatible door controller (Single-door controller / Video-door controller).

## Features

- Eight inputs
- Four mains relay outputs
- RS485 communication
- Suitable for lift control and third-party integrations
- PCB-only format for flexible installation
- Clear, intuitive labelling



# Specifications



## Electrical

Operating voltage	10V - 24V DC
Current consumption	130mA
Relay contact current rating	10A
Relay contact isolation	1100 Vrms - for 1 min Between open contacts 1800Vrms - for 1 min Between contact and coil
Relay contact voltage (Max)	250VAC / 28VDC
Relay contact frequency	50/60Hz



## Communication

Wireless	No
RS485	Yes
RS485 speed	1Mbps
RS485 bandwidth requirement	1Mbps
Daisy-chain capacity	Mains: +1 recommended PoE: Not supported



## Hardware

Cable type	Ethernet (RJ45) 50m length max
Tamper input	Yes
Inputs	8
Outputs (Relays)	4
Warranty	Paxton 5 year



## Environment

Operating temperature	-20°C - +55°C
Moisture resistance	No - if used externally, it must be protected in a weatherproof housing
Vandal resistance	Low



## Accessories and Sales codes

010-266-AE	Paxton10 - I/O Connector
010-403-AE	Paxton10 - Single-door controller, PCB only
010-052-AE	Paxton10 - Single-door controller, PoE
010-751-AE	Paxton10 - Single-door controller, 12V 2A PSU
010-315-AE	Paxton10 - Single-door controller, with plastic housing



## Dimensions

