

# Paxton10 - Input Connector

## Overview

The Paxton10 Input Connector is a dedicated input expansion module designed for use alongside a Paxton10 door controller. It allows additional external signals to be monitored by the Paxton10 system, extending system awareness beyond standard door hardware.

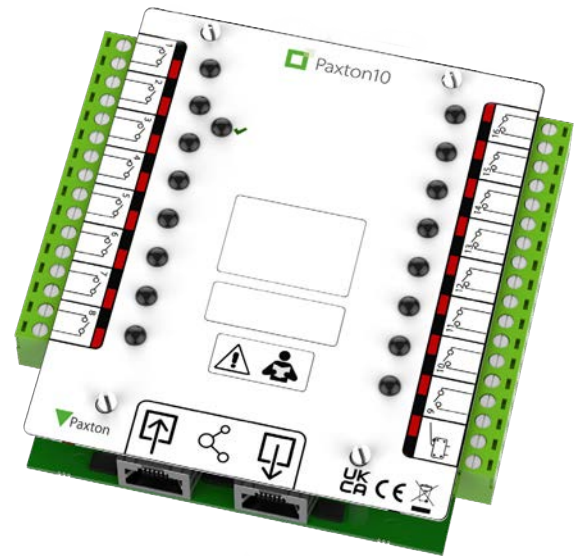
The Input Connector is ideal for applications where a large number of monitored inputs are required without the need for relay outputs. Typical use cases include, fire alarms, plant status signals, or other third-party equipment that provides contact-based inputs.

The module provides 16 inputs, enabling high-density input expansion from a single board. Events generated by these inputs can be used by the Paxton10 system to trigger actions, enforce logic, or provide system status visibility.

Communication between the Input Connector and the door controller is via RS485. Daisy-chaining is supported in mains-powered installations, allowing one additional I/O connector to be connected where required. PoE daisy-chaining is not supported.

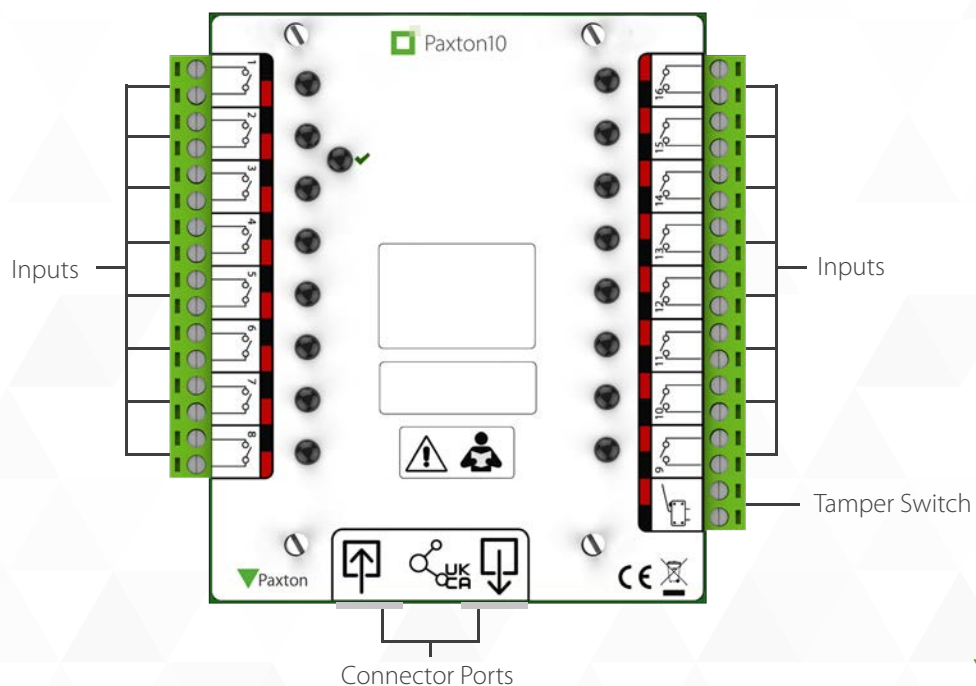
The Paxton10 Input Connector is supplied as PCB only and is intended for installation within a suitable enclosure or control panel. It is designed for internal use; if installed externally, it must be housed in an appropriate weatherproof enclosure.

**Please note:** The Paxton10 Input Connector is not a door controller. It operates as part of a Paxton10 system and must be connected to a compatible door controller (Single-door controller / Video-door controller).



## Features

- Sixteen monitored inputs
- RS485 communication
- Suitable for high-density input monitoring applications
- Ideal for lift control, alarm monitoring, and third-party integrations
- PCB-only format for flexible installation
- Clear, intuitive labelling



# Specifications



## Electrical

Operating voltage	10V - 24V DC
Current consumption	75mA



## Communication

Wireless	No
RS485	Yes
RS485 speed	1Mbps
RS485 bandwidth requirement	1Mbps
Daisy-chain capacity	Mains: +1 recommended PoE: Not supported



## Hardware

Cable type	Ethernet (RJ45) 50m length max
Tamper input	Yes
Inputs	16
Warranty	Paxton 5 year



## Environment

Operating temperature	-20°C - +55°C
Moisture resistance	No - if used externally, it must be protected in a weatherproof housing
Vandal resistance	Low



## Accessories and Sales codes

010-890	Paxton10 - Input Connector
010-403	Paxton10 - Single-door controller, PCB only
010-052	Paxton10 - Single-door controller, PoE
010-751	Paxton10 - Single-door controller, 12V 2A PSU
010-315	Paxton10 - Single-door controller, with plastic housing
010-755	Paxton10 - Plastic Housing



## Dimensions

